

浙江欧锐杰照明科技有限公司
ZHEJIANG OURUIJIELIGHTING TECHNOLOGY CO.,LTD.
ADD: 浙江省湖州市广源路328号3栋
Building 3 No. 328 Guangyuan Road, Huzhou, Zhejiang, China
TEL: +86-572-2671188
FAX: +86-572-2671800
E-mail: orj@orjlight.com



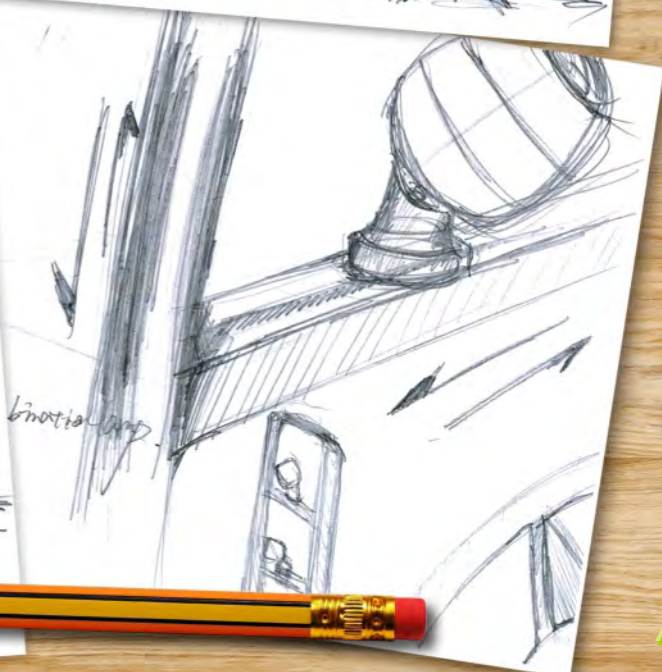
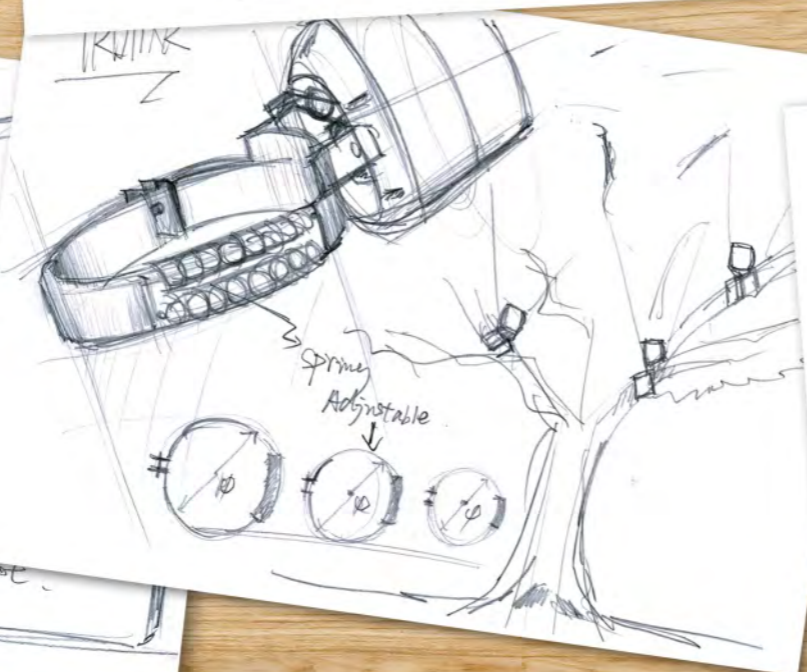
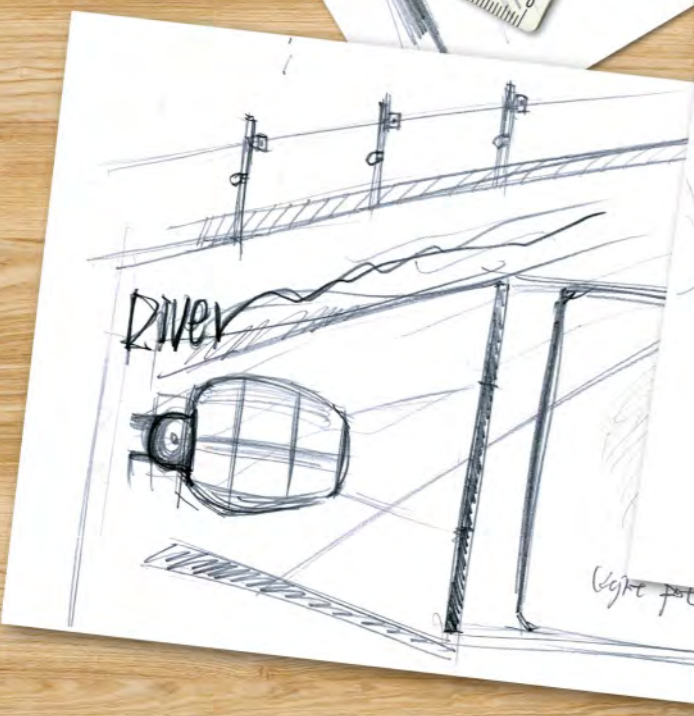
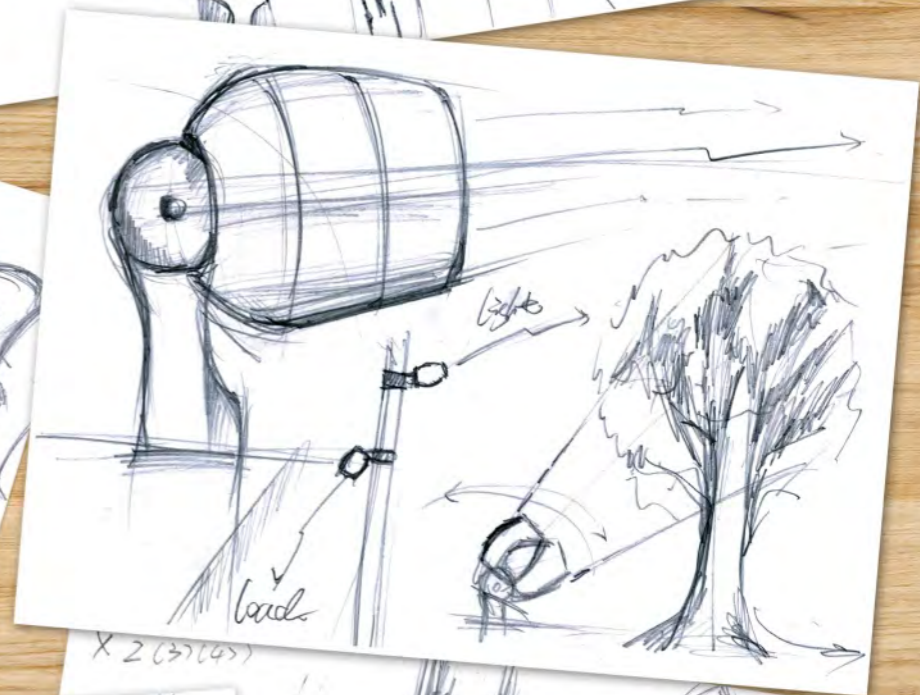
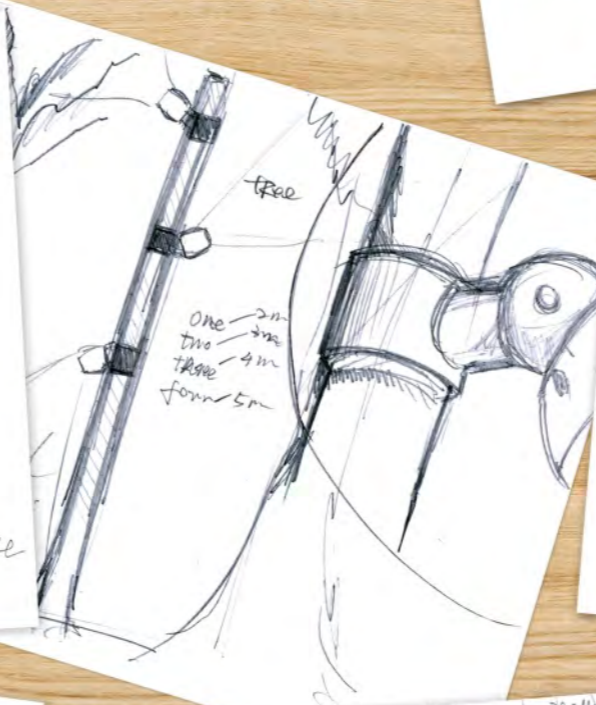
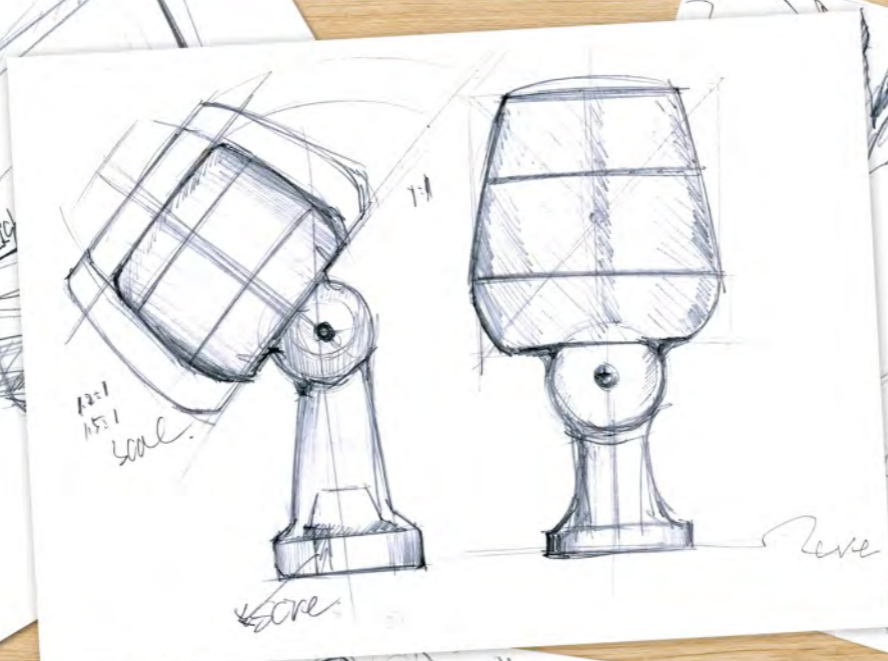
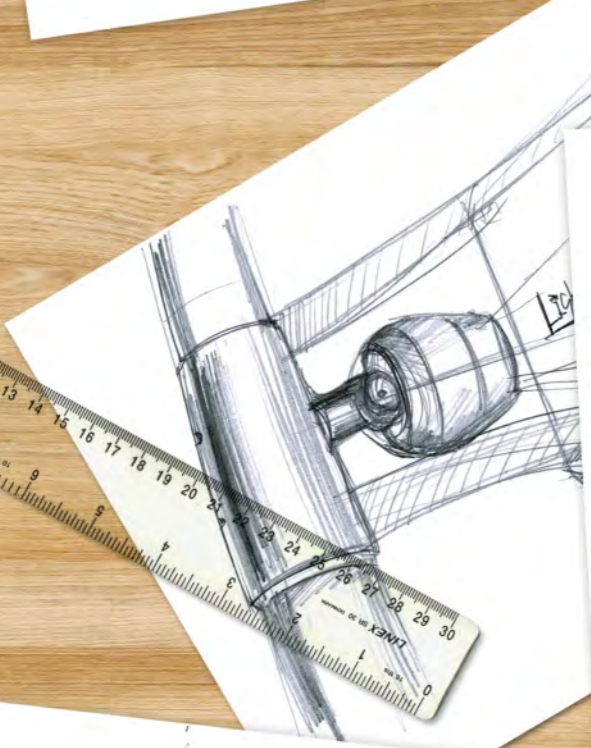
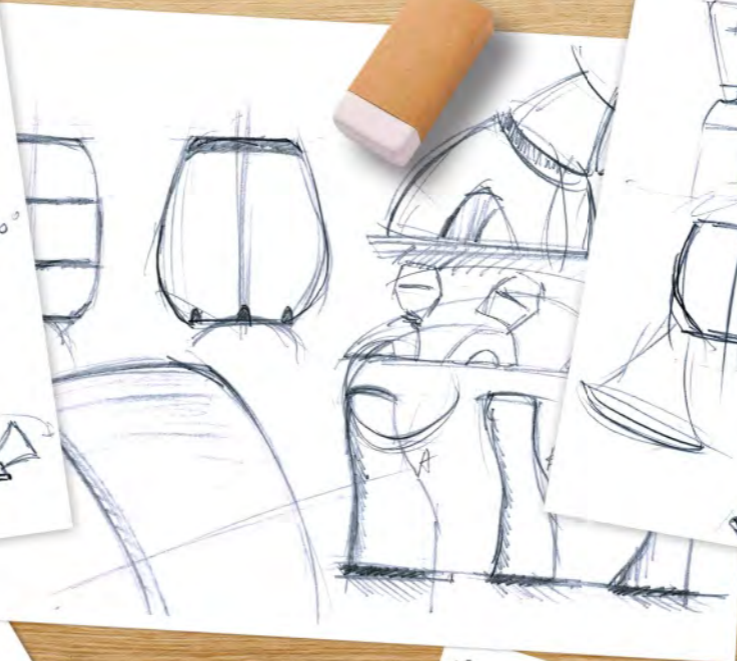
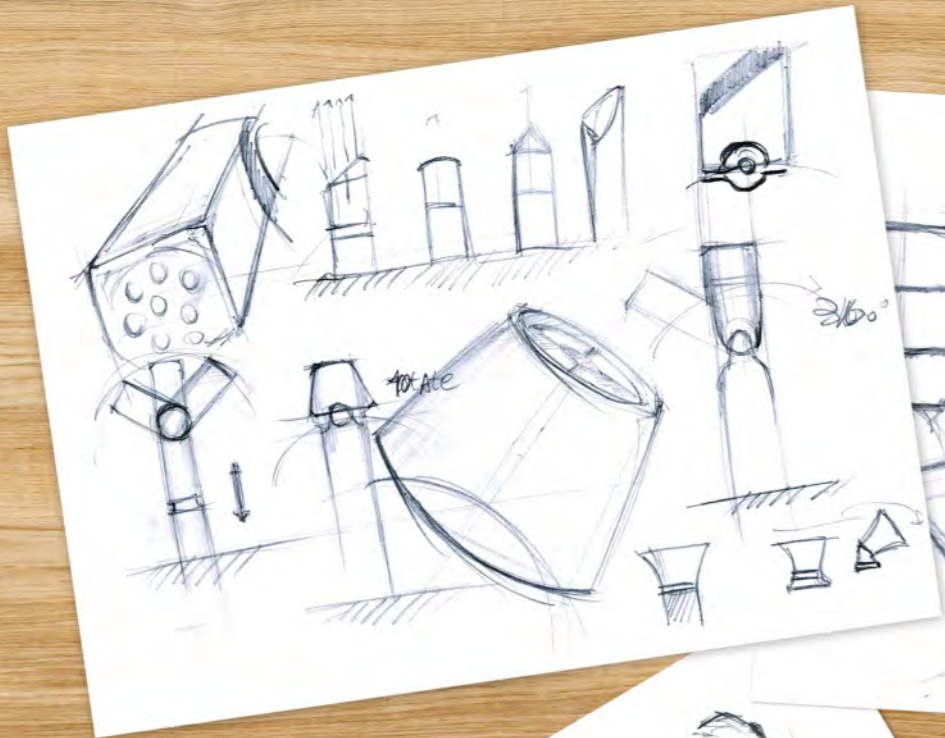


精靈

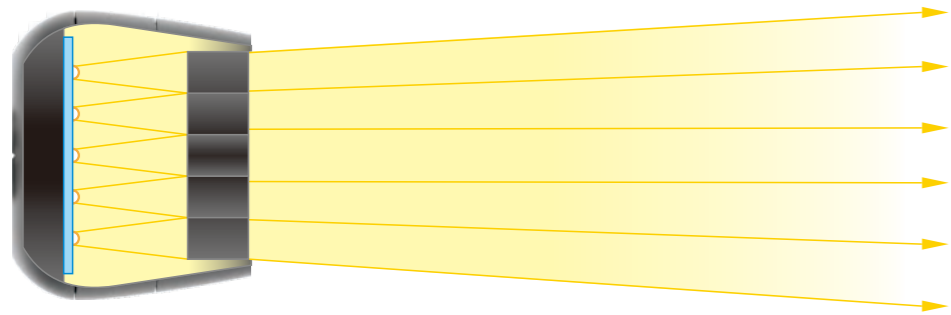
Elf
LED 照樹燈



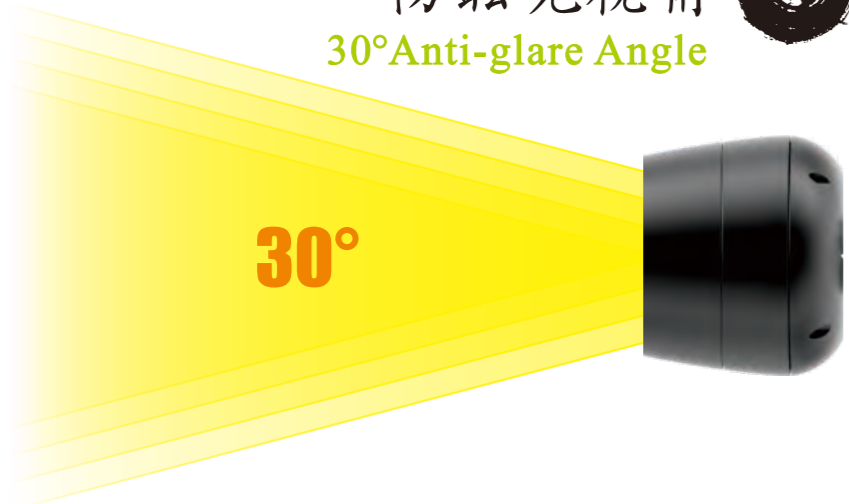
在各種傳說之中，
精靈族的特質可以歸納為以下幾點：
長壽、擅長藝術、高貴、優雅、聰明、美麗，
一定程度的潔癖和大自然幾乎融為一體。
擅長使用魔法和弓箭，
居住在森林中，
組成比較鬆散的王國，
彼此之間平等友好。



深筒+格栅双重物理防眩光
Sink light source+Grilling Anti-glare



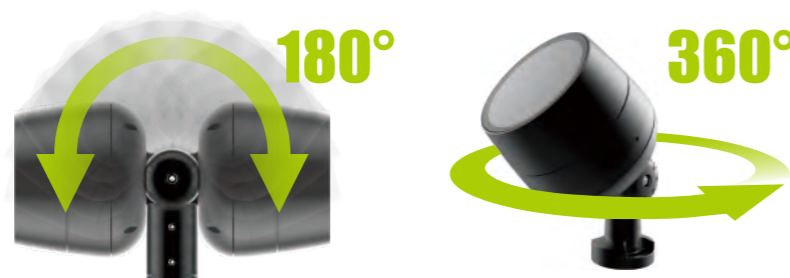
三十度极窄
防眩光视角
30°Anti-glare Angle



光洁表面
自洁不粘灰
Smooth surface



五百四十度万向调节
180°+360° Adjustable



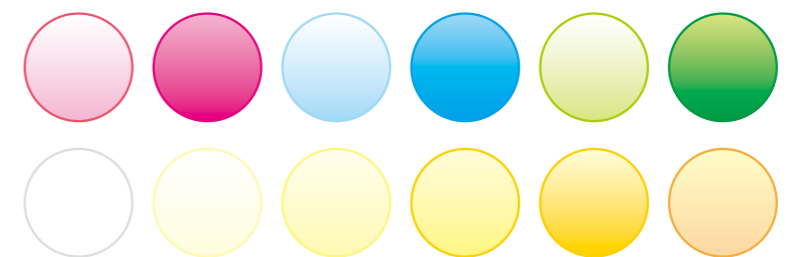
高强度自锁结构固定
Self-lock Design



隐藏式线路结构
Hidden junction



多种光色配置
Multi-color Method



1800K ~ 2200K ~ 2700K ~ 3000K ~ 4000K

AT1 应用一:

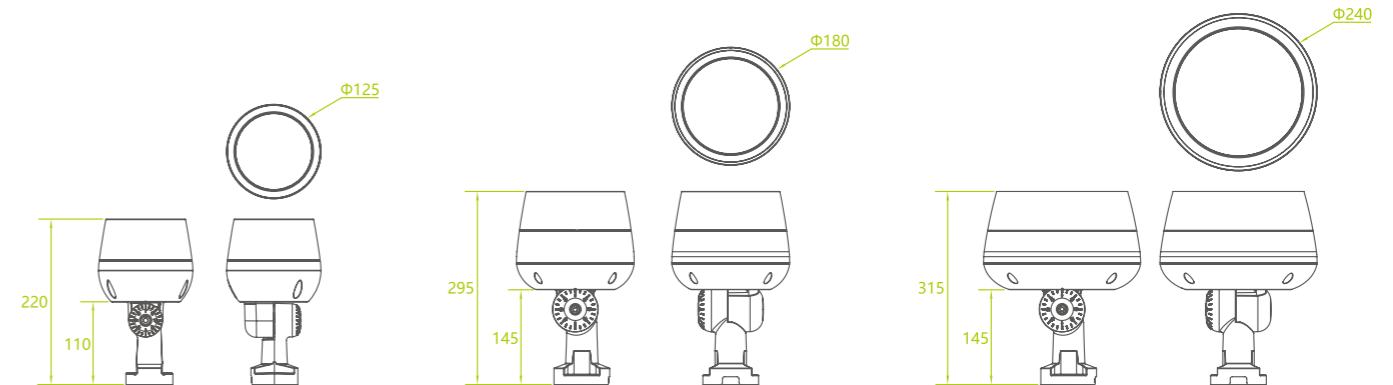
落地式

灯具安装于草坪地面，适用于公园、湿地、草坪环境投树照明。

The lamp model is suitable for the environment of the park, the wetland and the lawn.



IP66 IK08 CE



AT2应用二:

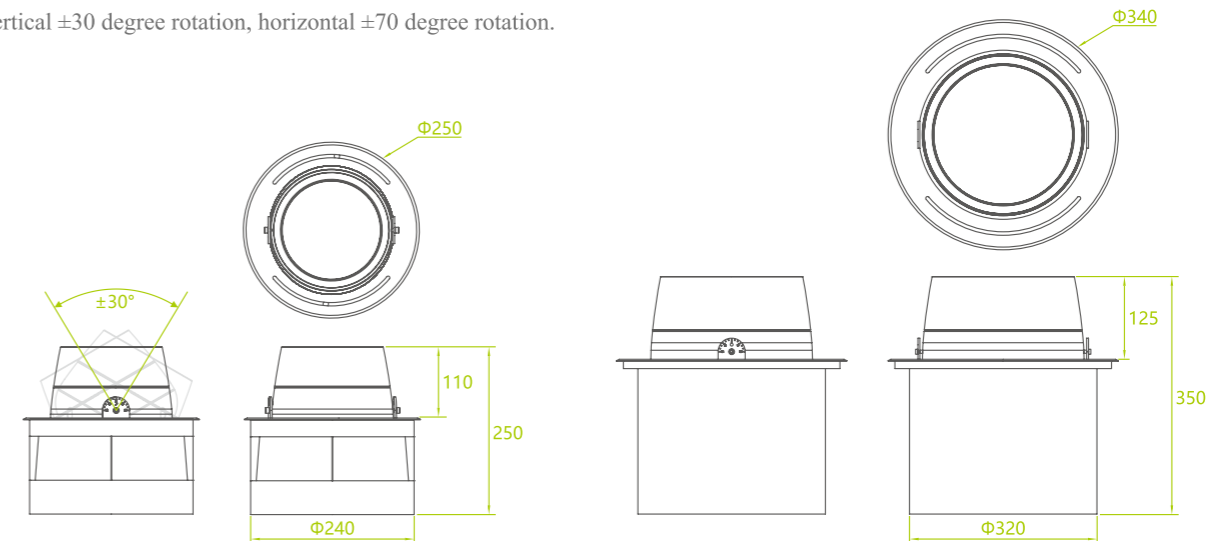
半地埋式



IP66 IK08 CE

- 灯具安装于草坪、石材、树池等环境低位投树照明；
 避免草皮覆盖挡光；优异的防眩低位功能；高强度PE防腐预埋筒；
 二零四不锈钢面盖，五毫米高强度钢化玻璃；
 纵向正负三十度旋转，周边正负七十度旋转。

- The lamp installed in the lawn, stone, tree pool, such as the environment of low tree lighting;
 Avoid blocking turf; Excellent low glare; High strength PE anticorrosive embedded cylinder;
 304 stainless steel cover, 5mm high strength tempered glass;
 Vertical ± 30 degree rotation, horizontal ± 70 degree rotation.



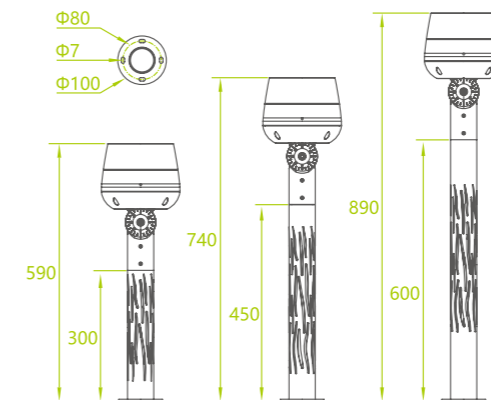
AT3应用三： 草坪照树一体式



IP66 IK08 CE

灯具结合了草坪灯与投树为一体。适用草坪、步道两侧、中间灌木照树。实现照射草坪、照路、照树一体化。顶部灯具为压铸铝合金，杆体为不锈钢激光雕刻工艺，内置LED光源。

The lamp combines the lawn lamp and the tree. For the lawn, on both sides of trails, among shrubs as trees. The realization of integrated lighting for lawn, road and tree. The top lamp is die cast aluminum, the lawn pole is stainless steel laser engraving, built-in LED light source.

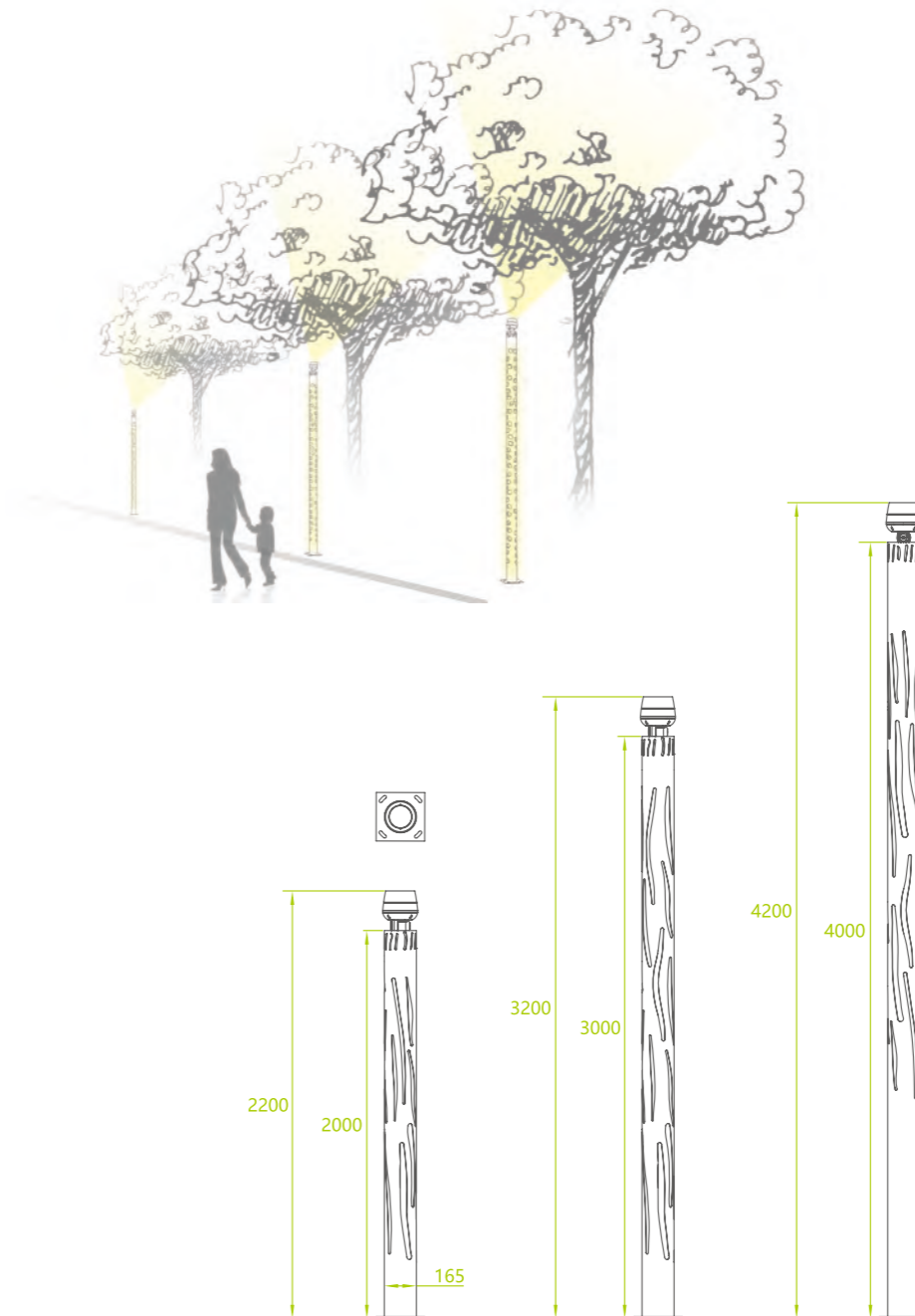


AT4应用四:

景观照树一体

灯具结合景观灯与投树灯为一体的完美融合。适应步道两侧、公园等环境。实现景观与照树一体化功能，顶部为专业压铸铝照树灯，底部为不锈钢激光艺术雕刻。

The lamp combined with the landscape lamp into the perfect integration. To adapt to the environment on both sides of trails and park. To achieve the integration of landscape and tree, the top of the professional die-casting aluminum lamp, the bottom of the stainless steel laser engraving.



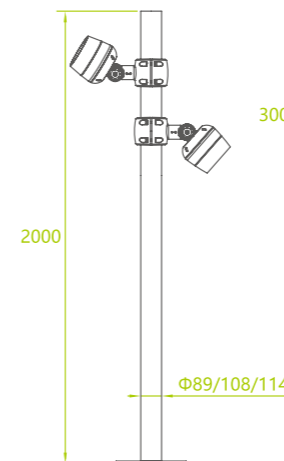
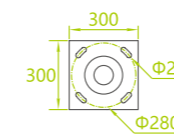


AT5应用五:

多功能照树

灯具装于直杆，可实现多方向、多角度照射。可兼顾照高树、低树、步道等多方位共同照明。

The lamp is installed on the straight pole, which can realize multi direction and multi angle irradiation. Both high and low trees, trails and other multi-faceted common lighting.



灯具装于直杆，可实现多方向、多角度照射。可兼顾照高树、低树、步道等多方位共同照明。

The lamp is installed on the straight rod, which can realize multi direction and multi angle irradiation. Both high and low as tree trees, trails and other multi-faceted common lighting.



灯具装于直杆，可实现多方向、多角度照射。可根据客户需求定制图案。

The lamps are mounted on straight pole to achieve multiple directions and multiple angles of lighting. Customizing design according to customer needs.





AT6应用六:

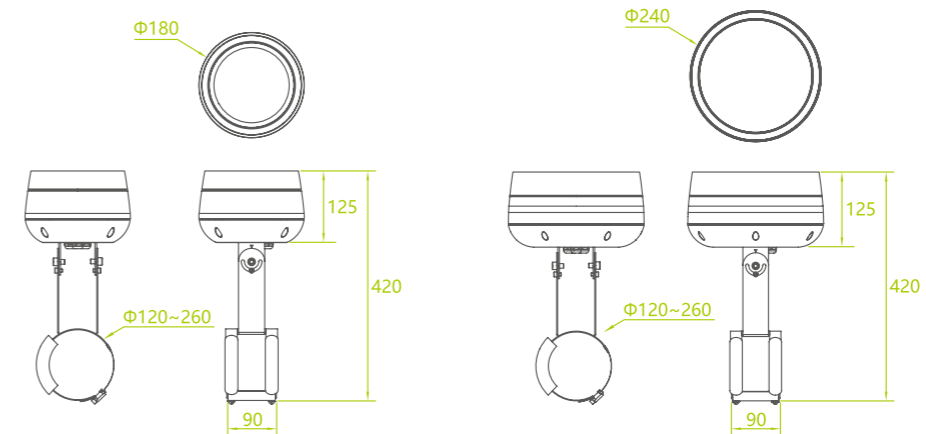
抱杆照树

灯具底部柔性不锈钢弹簧，可伸缩抱于树干，不阻碍、不破坏树木生长。安装简易，融合环境。

Flexible stainless steel spring at the bottom of the lamp, which can be held in the tree trunk without obstruction and damaging the growth of trees. Easy installation and integration environment.



IP66 IK08 CE



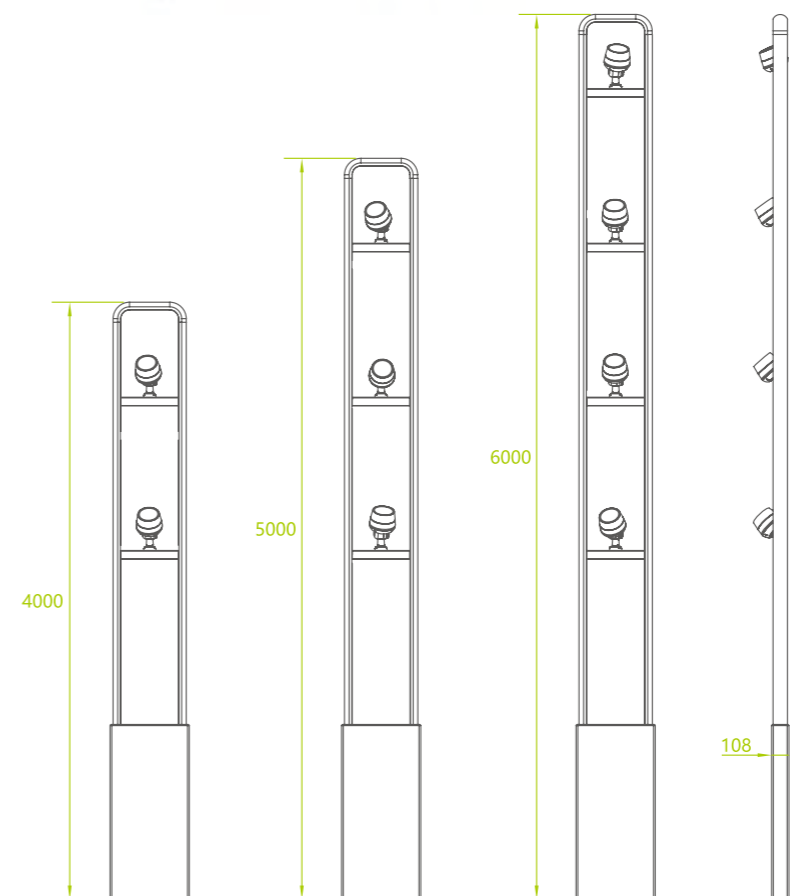
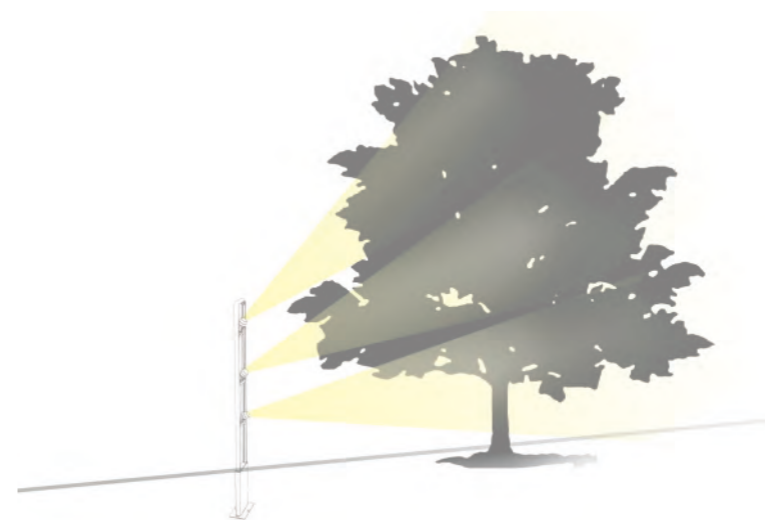


AT7 应用七:

滑杆多功能照树

灯具安装于双杆框内，可以上下滑动多角度照射。可实现大树与高树或步道等兼顾的多功能照明。

The lamps is installed on the double pole frame, and can be used for sliding up and down. Multifunctional lighting can be realized with big trees, high trees and trails.



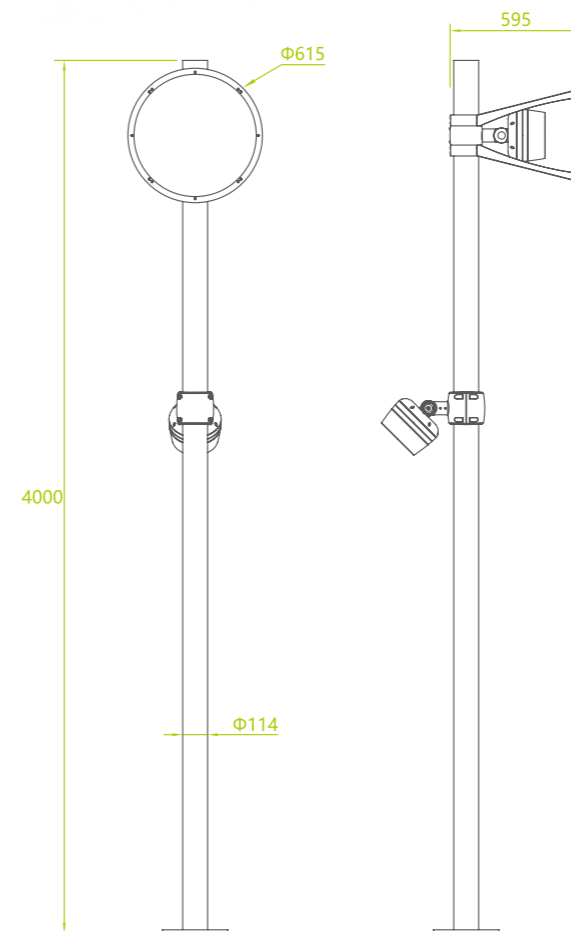
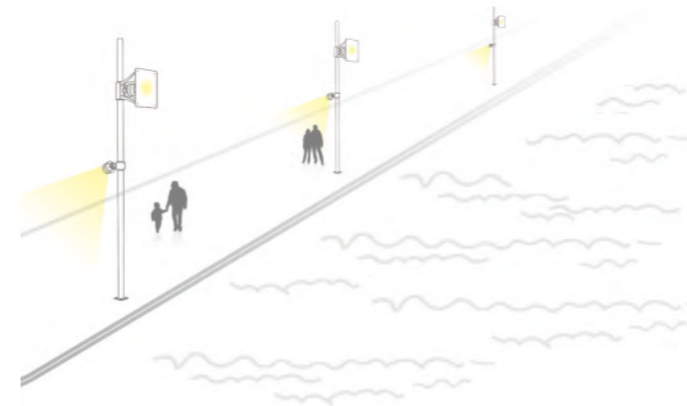


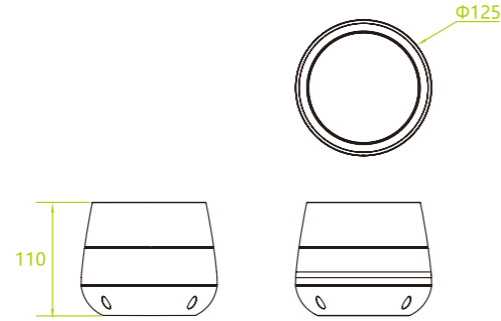
AT8应用八:

大型面光源一体

灯具结合间接面光源与功能照明一体。可实现增大点光源发光面积，高位可持续照明方式。适用于沿河两岸景观大型面光源应用。

Integrated with indirect lighting and functional lighting. The invention can increase the luminous area of the point light source, and the high level sustainable lighting mode. Applicable to the landscape along the river a large surface light source applications.



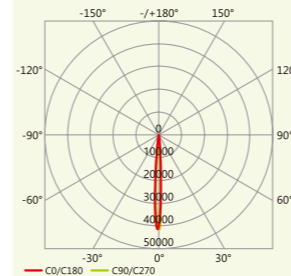


L06A-B

	AT1	AT2	AT3	AT4	AT5	AT6	AT7	AT8
L06A-B Φ125	●	×	×	×	×	×	×	×
L06A-A Φ180	●	●	●	●	●	●	●	●
L06A-C Φ240	●	●	●	●	●	●	●	●

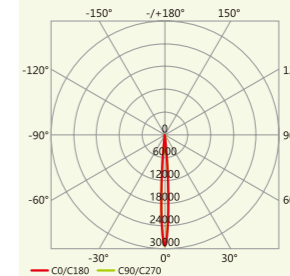


L06A-003B 8W 3.5°



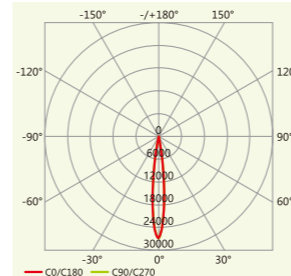
h(m)	Eavg(lx)	Emax(lx)	D(m)
4	1689	2298	0.26
8	422	574	0.52
12	188	255	0.78
16	105	143	1.04
20	67	92	1.30

L06A-003B 8W 5°



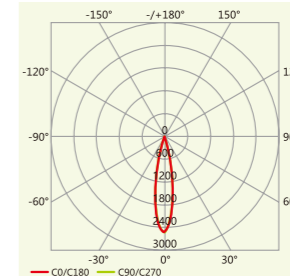
h(m)	Eavg(lx)	Emax(lx)	D(m)
4	1154	1718	0.36
8	288	430	0.73
12	128	191	1.10
16	72	107	1.46
20	46	69	1.82

L06A-009B 10W 7°



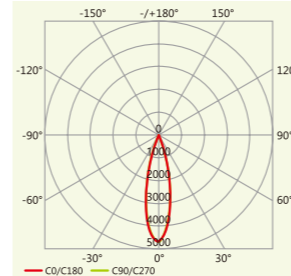
h(m)	Eavg(lx)	Emax(lx)	D(m)
2	3758	5327	0.27
4	940	1332	0.54
6	418	592	0.81
8	235	333	1.08
10	151	213	1.35

L06A-009B 10W 15°



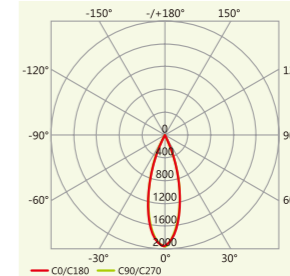
h(m)	Eavg(lx)	Emax(lx)	D(m)
2	1382	2050	0.47
4	345	512	0.94
6	154	228	1.41
8	87	128	1.88
10	56	82	2.35

L06A-009B 10W 25°



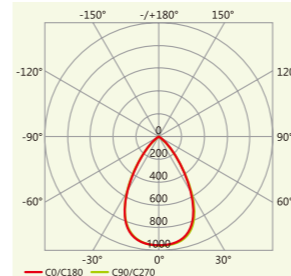
h(m)	Eavg(lx)	Emax(lx)	D(m)
2	634	955	0.88
4	158	239	1.76
6	70	106	2.64
8	40	60	3.52
10	26	39	4.40

L06A-009B 10W 40°



h(m)	Eavg(lx)	Emax(lx)	D(m)
2	228	342	1.60
4	57	86	3.20
6	26	38	4.80
8	15	21	6.40
10	9	14	8.00

L06A-009B 10W 60°



h(m)	Eavg(lx)	Emax(lx)	D(m)
2	144	234	2.20
4	36	59	4.40
6	16	26	6.60
8	9	15	8.80
10	6	10	11.00

L06A-003B

AC220V
3000/4000K
● ●

LED Quantity	Net Weight	Optical Angle	Rated Power	Luminous Flux	Lamp Size	Packing Size/Gross Weight
3 pcs	1.3 kg	3.5°/5°	8 W	430 / 550 lm	125×125×220mm	1.4kg/230×190×180mm(1pcs/box)
		7°/15°/25°/40°/60°	6 W	295 lm		6.0kg/360×335×280mm(4pcs/box)

L06A-006B

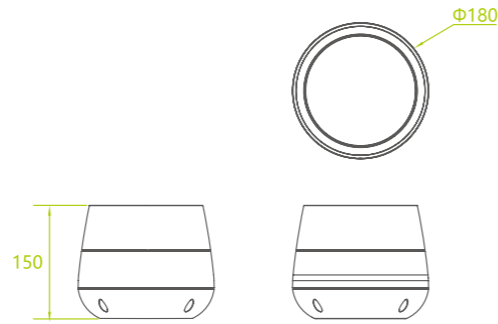
AC220V
3000/4000K
● ●

LED Quantity	Net Weight	Optical Angle	Rated Power	Luminous Flux	Lamp Size	Packing Size/Gross Weight
6 pcs	1.3 kg	7°/15°/25°/40°/60°	8 W	610 lm	125×125×220mm	1.4kg/230×190×180mm(1pcs/box)
			14 W	1050 lm		6.0kg/360×335×280mm(4pcs/box)

L06A-009B

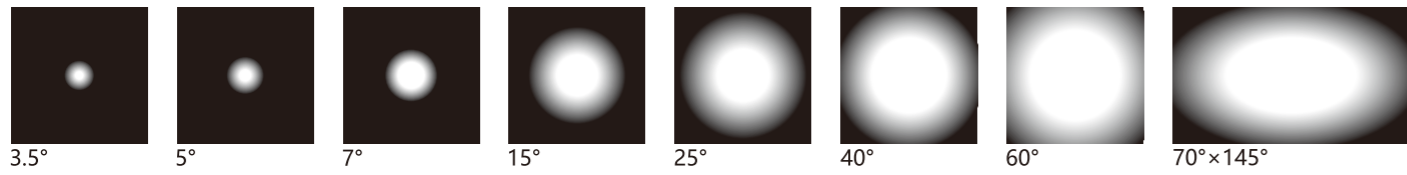
AC220V
3000/4000K
● ●

LED Quantity	Net Weight	Optical Angle	Rated Power	Luminous Flux	Lamp Size	Packing Size/Gross Weight
9 pcs	1.4 kg	7°/15°/25°/40°/60°	10 W	895 lm	125×125×220mm	1.5kg/230×190×180mm(1pcs/box)
			15 W	1345 lm		6.1kg/360×335×280mm(4pcs/box)

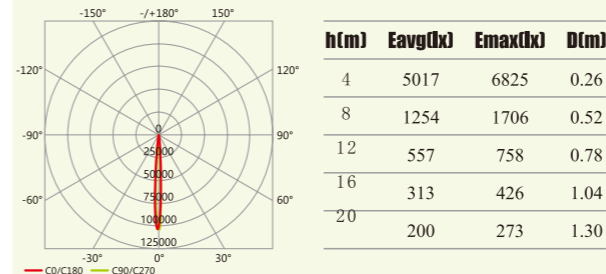


L06A-A

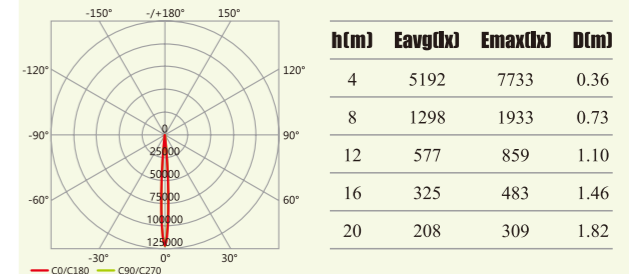
	AT1	AT2	AT3	AT4	AT5	AT6	AT7	AT8
L06A-B Φ125	●	×	×	×	×	×	×	×
L06A-A Φ180	●	●	●	●	●	●	●	●
L06A-C Φ240	●	●	●	●	●	●	●	●



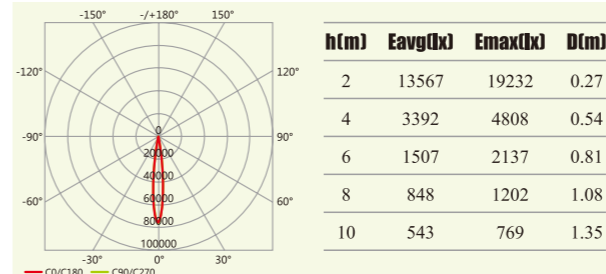
L06A-009A 21W 3.5°



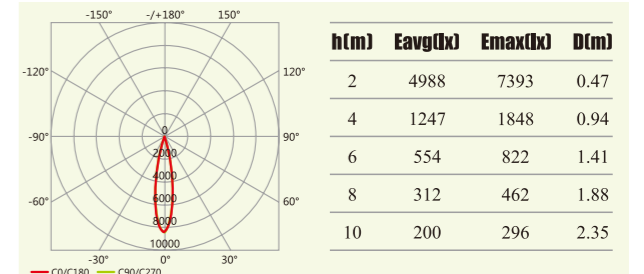
L06A-009A 30W 5°



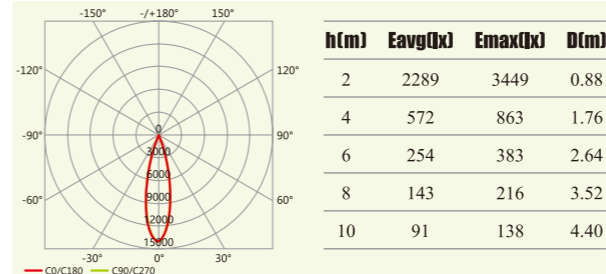
L06A-018A 42W 7°



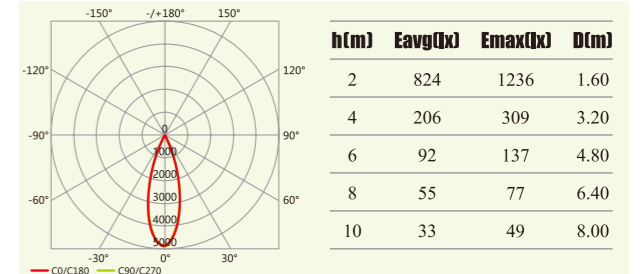
L06A-018A 42W 15°



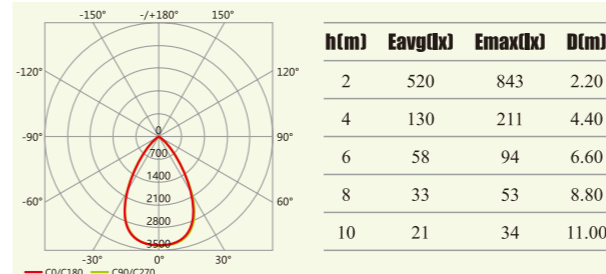
L06A-018A 42W 25°



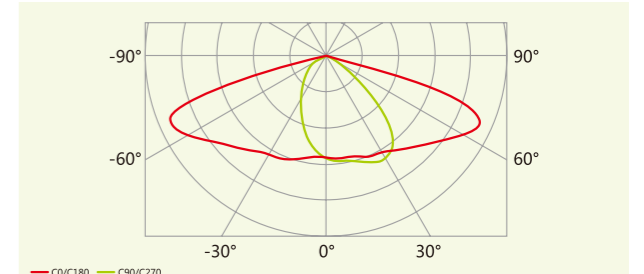
L06A-018A 42W 40°



L06A-018A 42W 60°



L06A-012A 28W 70°x145°



L06A-009A

LED Quantity	Net Weight	Optical Angle	Rated Power	Luminous Flux	Lamp Size	Packing Size/Gross Weight
9 pcs	2.7 kg	3.5°	21 W	1278 lm	180×180×295mm	2.9kg/325×275×245mm(1pcs/box) 12.1kg/455×455×300mm(4pcs/box)
		5°	30 W	2476 lm		
		7°/15°/25°/40°/60°	11 W	910 lm		
		21 W	1598 lm			

L06A-012A

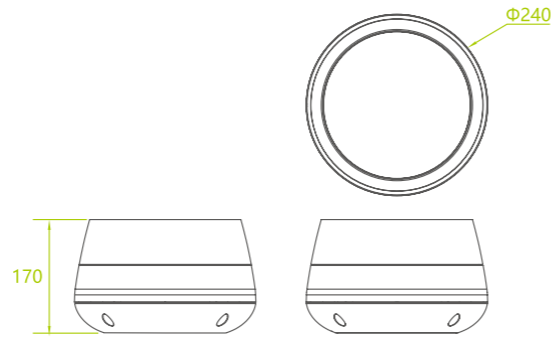
LED Quantity	Net Weight	Optical Angle	Rated Power	Luminous Flux	Lamp Size	Packing Size/Gross Weight
12 pcs	2.7 kg	7°/15°/25°/40°/60°	14 W	1203 lm	180×180×295mm	2.9kg/325×275×245mm(1pcs/box) 12.1kg/455×455×300mm(4pcs/box)
			28 W	2165 lm		

L06A-018A

LED Quantity	Net Weight	Optical Angle	Rated Power	Luminous Flux	Lamp Size	Packing Size/Gross Weight
18 pcs	3.0 kg	7°/15°/25°/40°/60°	21 W	1815 lm	180×180×295mm	3.2kg/325×275×245mm(1pcs/box) 13.1kg/455×455×300mm(4pcs/box)
			42 W	3283 lm		

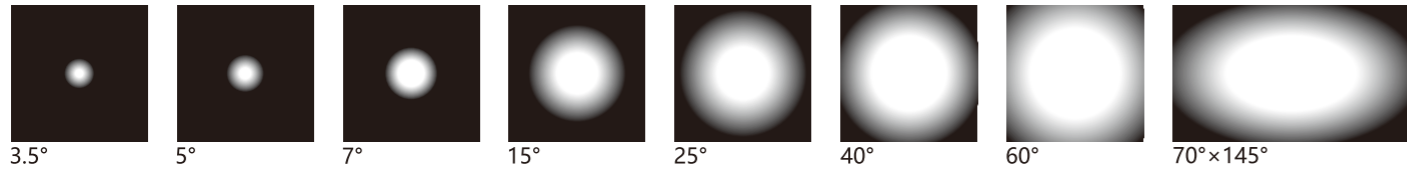
L06A-024A

LED Quantity	Net Weight	Optical Angle	Rated Power	Luminous Flux	Lamp Size	Packing Size/Gross Weight
24 pcs	3.1 kg	15°/25°/40°/60°	55 W	4877 lm	180×180×295mm	3.3kg/325×275×245mm(1pcs/box) 13.2kg/455×455×300mm(4pcs/box)

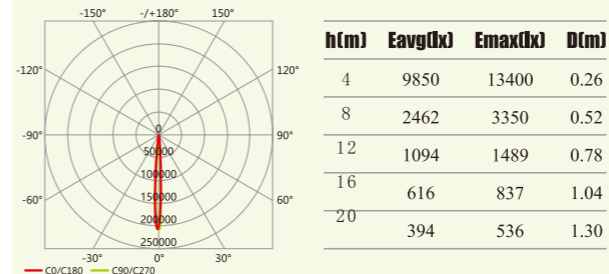


L06A-C

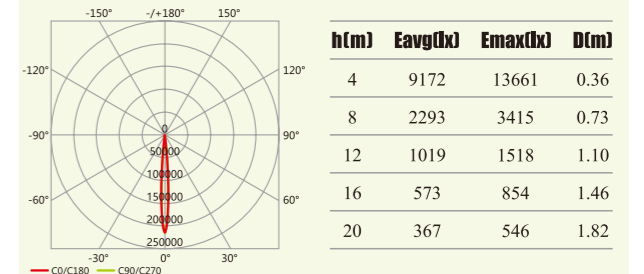
	AT1	AT2	AT3	AT4	AT5	AT6	AT7	AT8
L06A-B Φ125	●	×	×	×	×	×	×	×
L06A-A Φ180	●	●	●	●	●	●	●	●
L06A-C Φ240	●	●	●	●	●	●	●	●



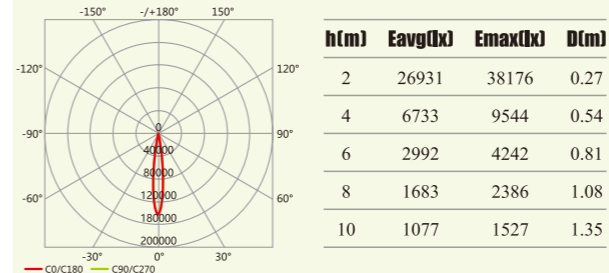
L06A-018C 40W 3.5°



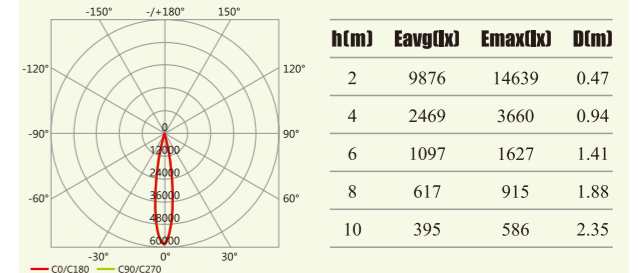
L06A-018C 60W 5°



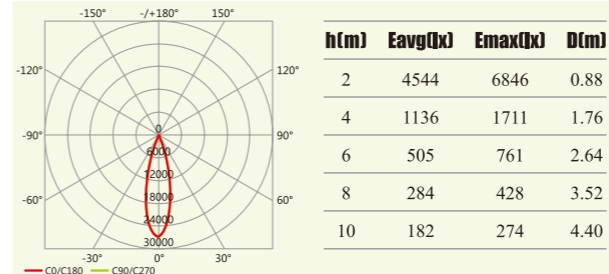
L06A-036C 80W 7°



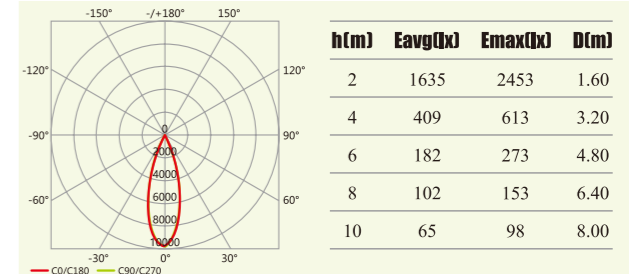
L06A-036C 80W 15°



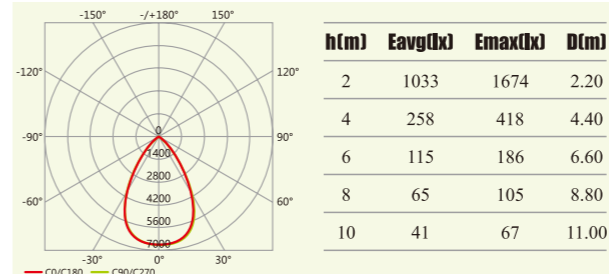
L06A-036C 80W 25°



L06A-036C 80W 40°



L06A-036C 80W 60°



L06A-024C 60W 70°x145°



L06A-018C

AC220V 3000/4000K/RGB	LED Quantity	Net Weight	Optical Angle	Rated Power	Luminous Flux	Lamp Size	Packing Size/Gross Weight
● ● ● ● ● ● ● ●	18 pcs	4.8 kg	3.5°	40 W	2510 lm	240×240×315mm	5.0kg/360×330×280mm(1pcs/box) 10.6kg/630×365×295mm(2pcs/box)
			5°	60 W	4370 lm		

L06A-024C

AC220V 3000/4000K/RGB	LED Quantity	Net Weight	Optical Angle	Rated Power	Luminous Flux	Lamp Size	Packing Size/Gross Weight
● ● ● ● ● ● ● ●	24 pcs	5.1 kg	7°/15°/25°/40°/60°	60 W	4558 lm	240×240×315mm	5.3kg/360×330×280mm(1pcs/box) 11.2kg/630×365×295mm(2pcs/box)
				72 W	5429 lm		

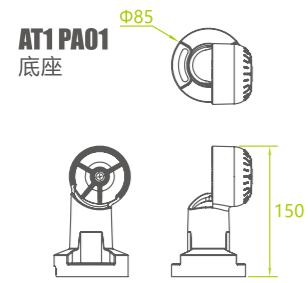
L06A-036C

AC220V 3000/4000K/RGB	LED Quantity	Net Weight	Optical Angle	Rated Power	Luminous Flux	Lamp Size	Packing Size/Gross Weight
● ● ● ● ● ● ● ●	36 pcs	5.2 kg	7°/15°/25°/40°/60°	80 W	6516 lm	240×240×315mm	5.4kg/360×330×280mm(1pcs/box) 11.3kg/630×365×295mm(2pcs/box)
				90 W	6963 lm		

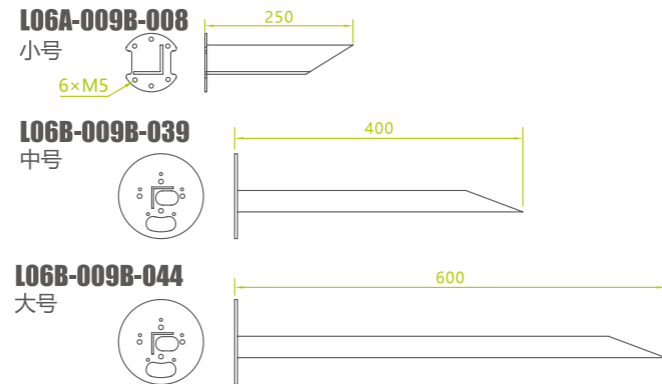
L06A-048C

AC220V RGBW	LED Quantity	Net Weight	Optical Angle	Rated Power	Luminous Flux	Lamp Size	Packing Size/Gross Weight
● ● ● ● ● ● ● ●	48 pcs	5.3 kg	15°/25°/40°/60°	95 W	4745 lm	240×240×315mm	5.5kg/360×330×280mm(1pcs/box) 11.4kg/630×365×295mm(2pcs/box)

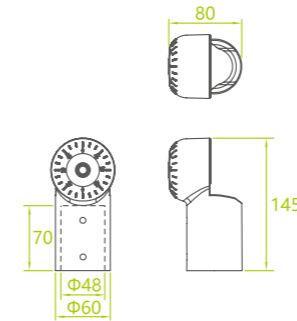
AT1 底座 Base



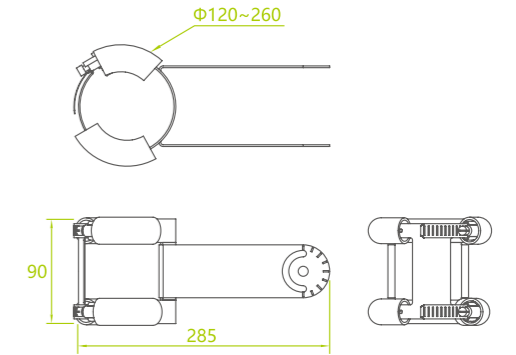
地插Spike



AT3 套管Tube



AT6 弹簧抱箍Flexible spring



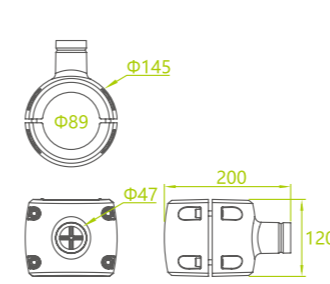
球面玻璃Spherical glass



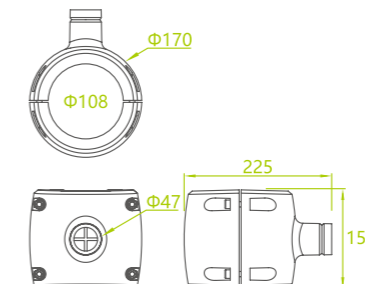
矮盖Short cover



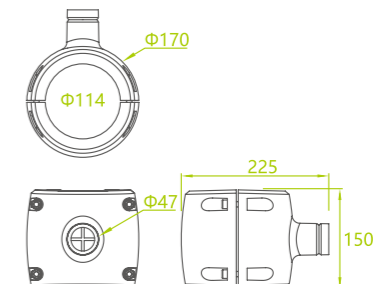
AT5 $\Phi 89$ 抱箍Holder



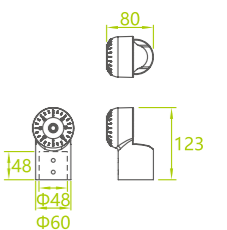
$\Phi 108$ 抱箍Holder



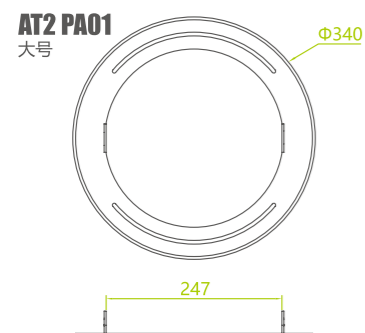
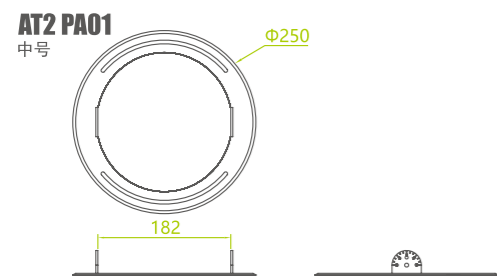
$\Phi 114$ 抱箍Holder



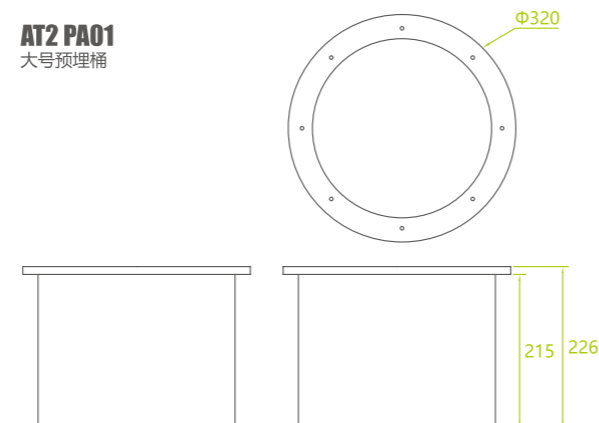
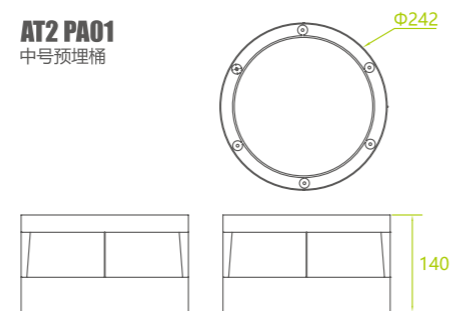
套管Tube



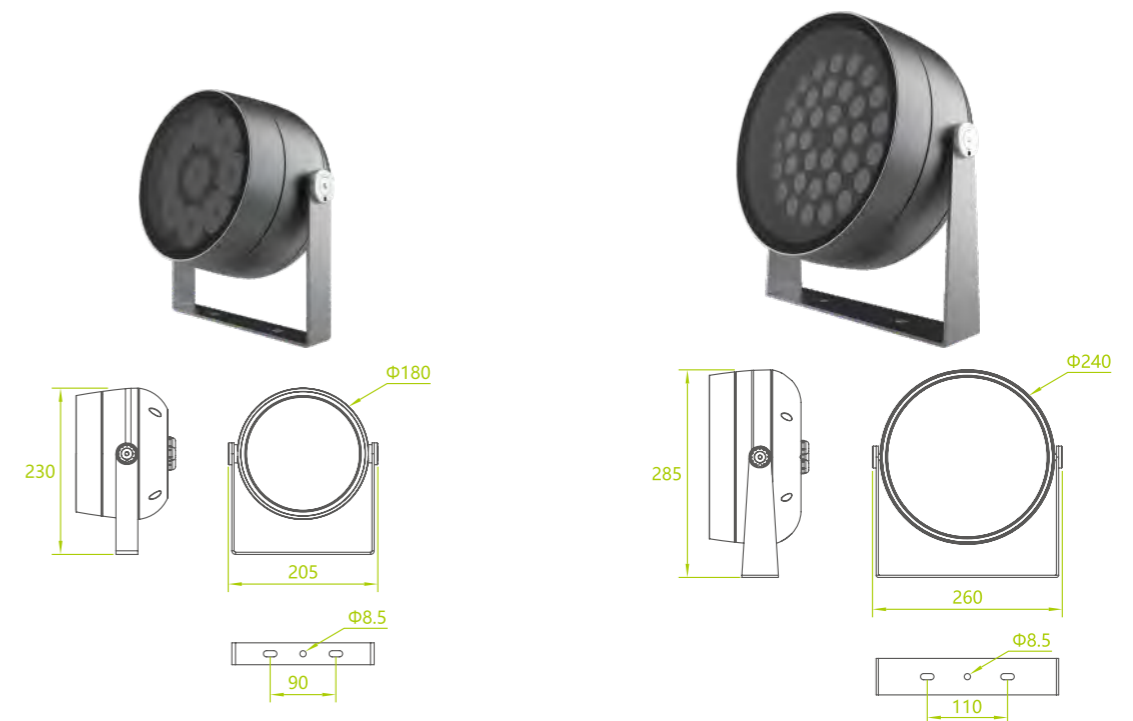
AT2 不锈钢预埋盖Stainless steel cover



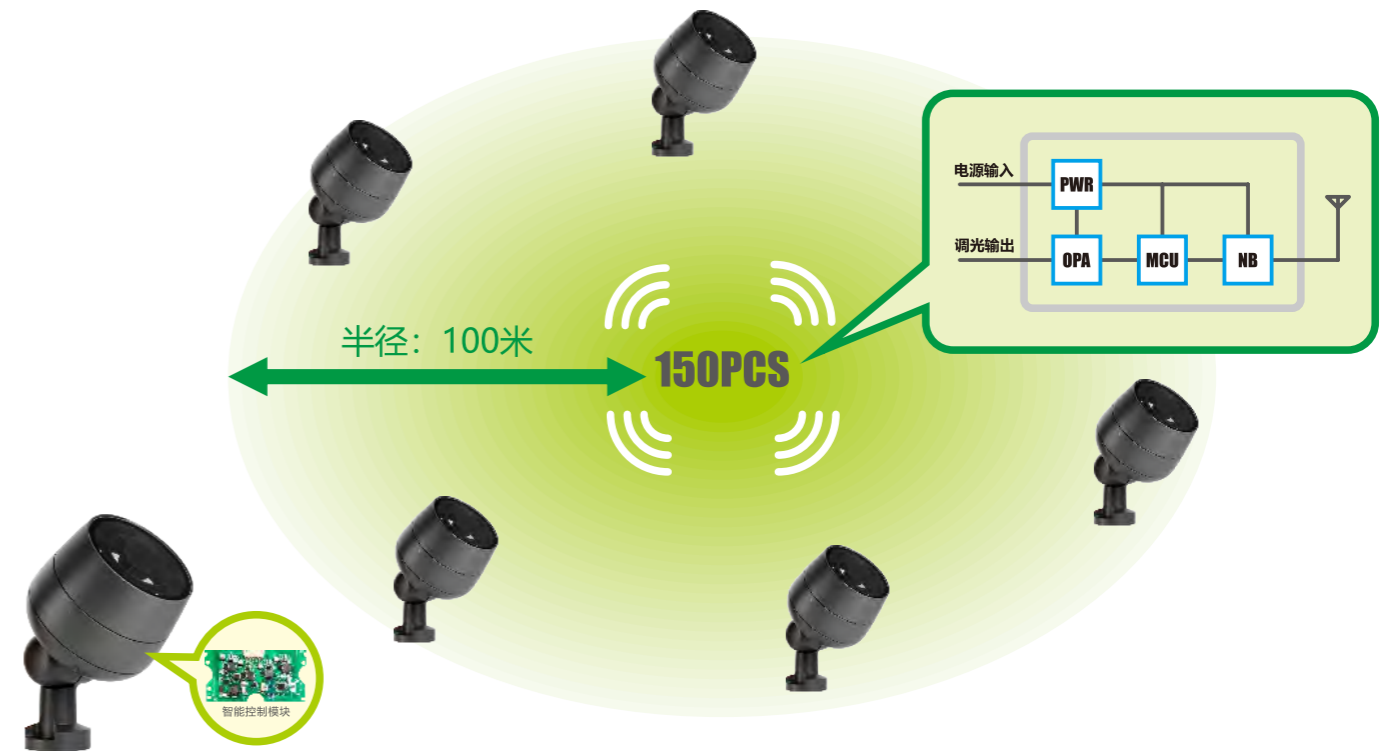
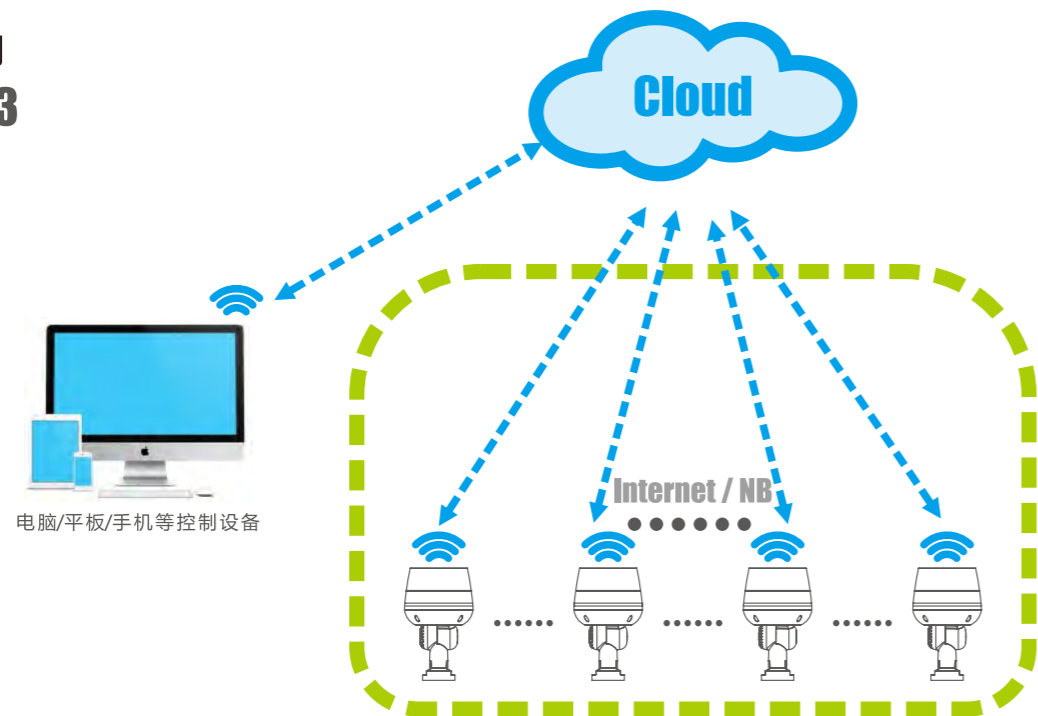
预埋桶Embedded pail



AT9 投光系列Flood light



精灵无线控制
ORJ-PSG03



根据气温与季节的变化，自动调节从冷白到暖白的色温调节，使灯具色温夏季清爽明快，冬季柔和温馨。

本套系统通过数字寻址，协调器及精灵云管家，自组无线局域网，可用手机APP通过NB技术去访问或下达命令给精灵云管家，从而改变照树灯的色温变化3000K~6000K,或者RGB颜色的同步渐变等，达到远程查看与控制的目的。灯具内置欧锐杰自主研发的L06B-A-DWMB4的驱动板，其中NB RF芯片和MCU芯片通过物理层和介质访问控制器层的分层设计，以及软件上的优化算法，使精灵云管家迅速与其半径100米以内的150个照树灯具迅速组网，另外特殊设计的隐藏式天线，在不影响传输距离的前提下，使灯具的户外使用更加美观与安全可靠。从而实现了户外景观亮化根据季节和节日的不同需求，进而对照明场景的远程控制。

Based on digital addressable lighting interface (Dali), coordinator and intelligent gateway, elf series projector will self-organizing wireless network. We will visit or send order to intelligent gateway by apps based on NB smart phone to change elf projector color temperature from 3000K-6000K, or making RGB lamp changing color synchronous. We built in self-developed L06B-A-DWMB4 driver board, by means of hierarchical design for NB RF chip and MCU chip as well as software optimization algorithm to make intelligent gateway fast organize 150 units projector into network with radius<100m. Under the premise of not affecting transmission distance we designed hidden antenna which make lamp with aesthetic appearance. All above tech realizes elf projector remote control of changing color according to seasons and festivals.

