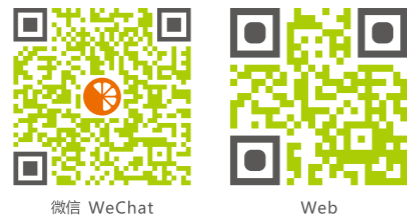


精灵II

City Elf II



微信 WeChat

Web

浙江欧锐杰照明科技有限公司
ZHEJIANG OURUIJIE LIGHTING TECHNOLOGY CO.,LTD.

ADD: 浙江省湖州市广源路328号3栋
Building 3 No. 328 Guangyuan Road, Huzhou, Zhejiang, China
TEL: +86-572-2671188
FAX: +86-572-2671800
E-mail: orj@orjlight.com

精灵II

精新灵动 从心出发

目录 CATALOG

Ten advantages 十大优势	03
AU1 应用一	09
AU2 应用二	11
AU3 应用三	13
AU4 应用四	15
AU5 应用五	17
AU6 应用六	21
AU7 应用七	23
AU8 应用八	25
AU9 应用九	29
AU10 应用十	31
AU11 应用十一	33
AU12 应用十二	35
AU13 应用十三	37
AU14 应用十四	39
AU15 应用十五	41
Technical parameter 技术参数	43
Fittings 配件	55
Case 应用案例	57

在各種傳說之中，
精靈族的特質可以歸納為以下幾點：
長壽、擅長藝術、高貴、優雅、聰明、美麗，
一定程度的潔癖和大自然幾乎融為一體。
擅長使用魔法和弓箭，
居住在森林中，
組成比較鬆散的王國，
彼此之間平等友好。



L06B-D



L06B-B



L06B-A



L06B-C



L06B-E

十大优势

Advantages

优势一

细致的工业设计

Smooth surface

自洁玻璃，无台阶不积水
流线型外观，自洁涂层；



优势二

三重防眩光

Treble anti-glare

- 防眩玻璃
Anti-glare glass
- 深筒
Sink light source
- 内置阶梯微防眩器
Built-in honeycomb diffuser

优势三

安全自锁结构

Self-lock design

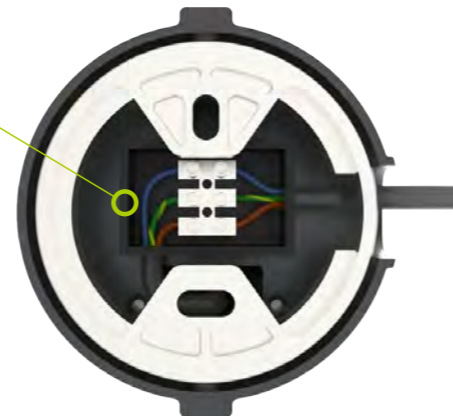
抗外力冲击无损



优势四

隐藏底部接线

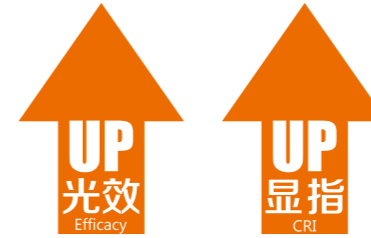
Hidden junction



优势五

光效提升

Efficacy & CRI up

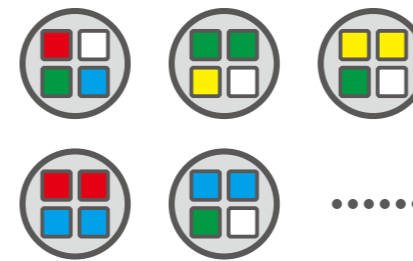


优势七

独立四合一混色方案

Multi-RGBW method

多光色配方应用
配色数据库



优势六

双向多角度旋转

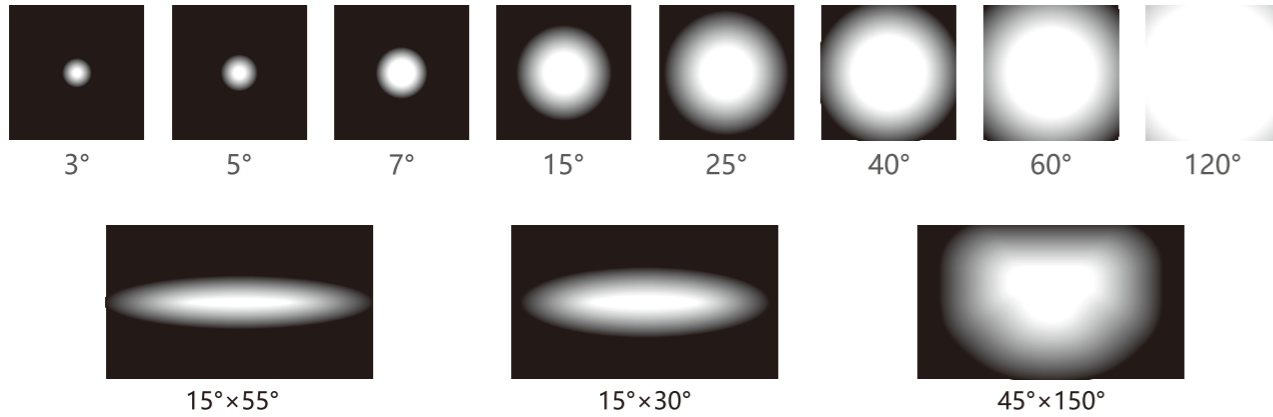
180+360° adjustable



优势八

多角度配光

Lens options

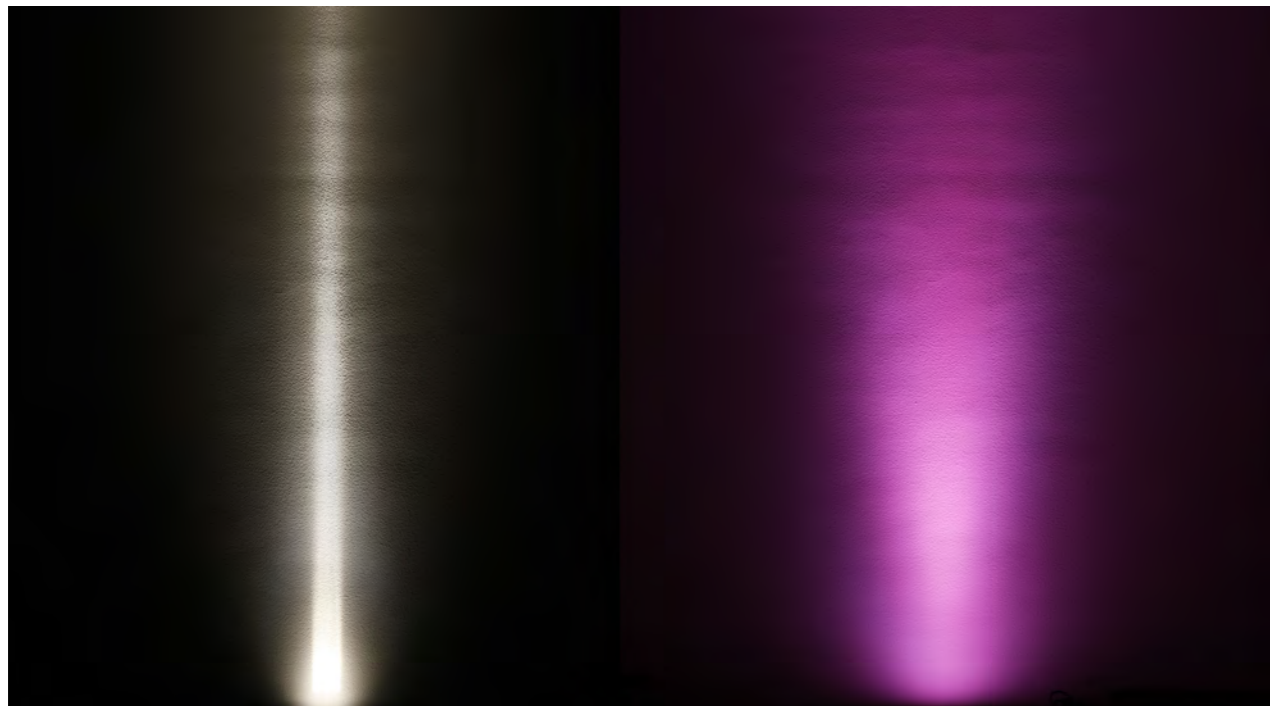


优势九

混光均匀

uniform mixing

解决窄角度问题 (混光均匀, 无副光斑)



优势十

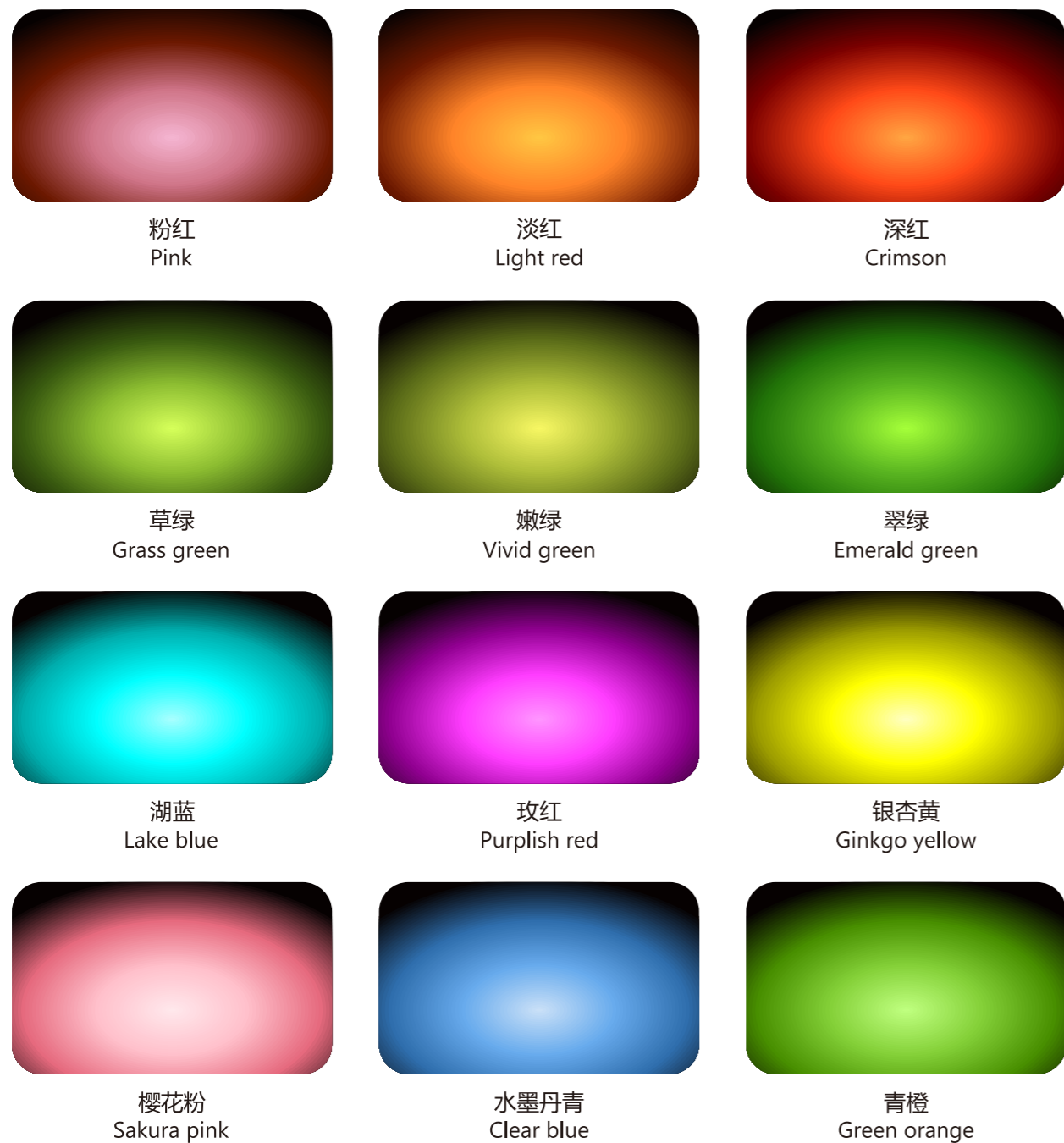
多种组合件, 适合多场合, 涵盖园林与建筑

Multi-applications, apply to park, palza etc



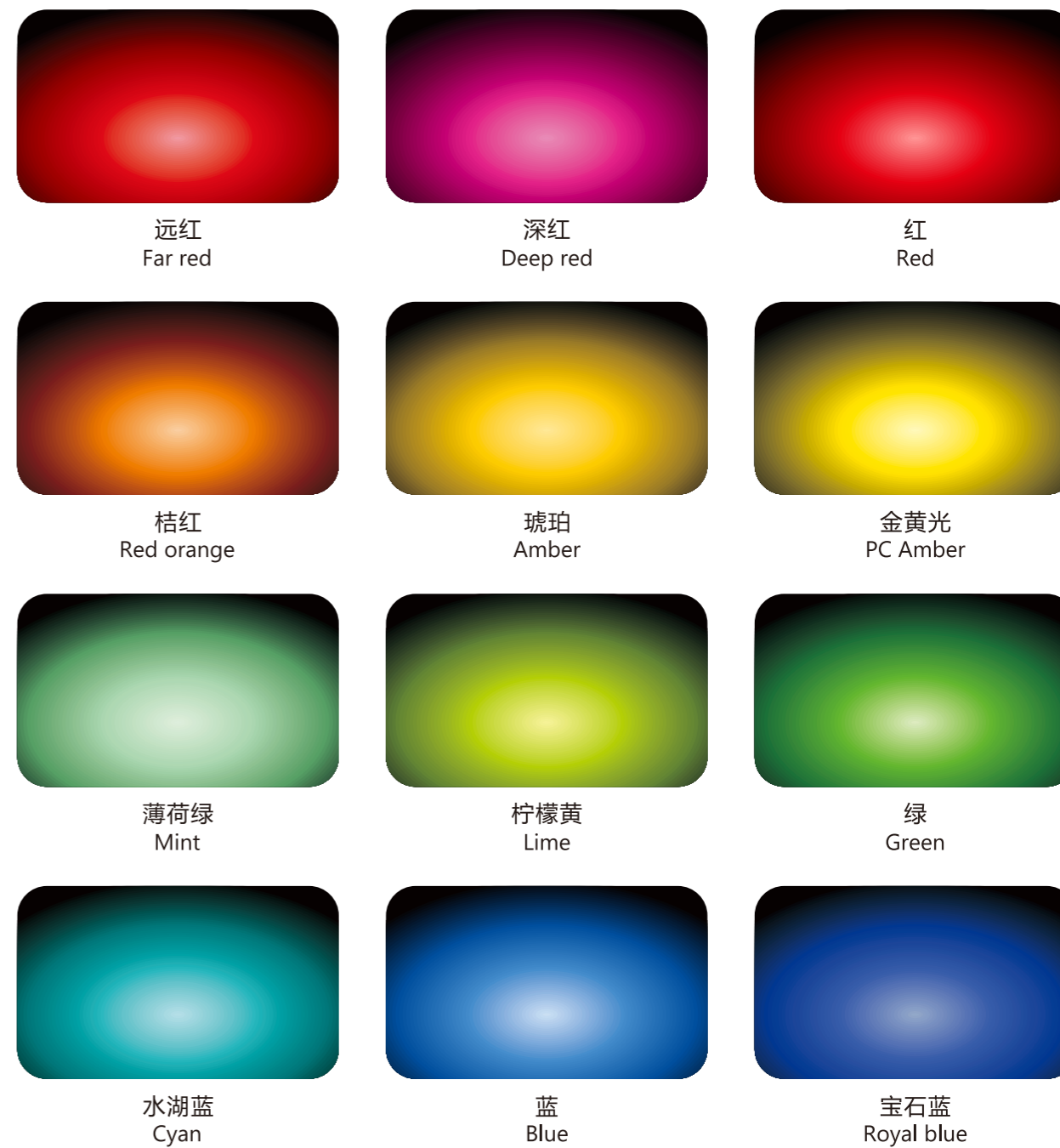
- | | | |
|--|---|---|
| <p>1 落地式
Ground type</p> <p>2 半地埋式
Half-buried type</p> <p>3 草坪照树一体式
Lawn & tree projector</p> <p>4 大型面光源一体
Large point light</p> <p>5 多功能照树
Multi-function projector</p> | <p>6 抱杆照树
Hold tree projector</p> <p>7 步道照明
Walkpath lighting</p> <p>8 广场照明
Plaza lighting</p> <p>9 建筑柱体照明
Building column lighting</p> <p>10 建筑投洗照明
Building lighting</p> | <p>11 建筑泛光照明
Building flood lighting</p> <p>12 建筑切光照明
Building linear lighting</p> <p>13 建筑双面照明
Double-faced lighting</p> <p>14 重点照明
Focus lighting</p> <p>15 投影照明
Projection lighting</p> |
|--|---|---|

配色色域表 Optional light-emitting color



单色域混色方案推荐

Tow or more fixed colors mixing recommendation



独立四合一混色数据库

Independent 4 in 1 mixed color database

精灵II
LED照树灯
AU1



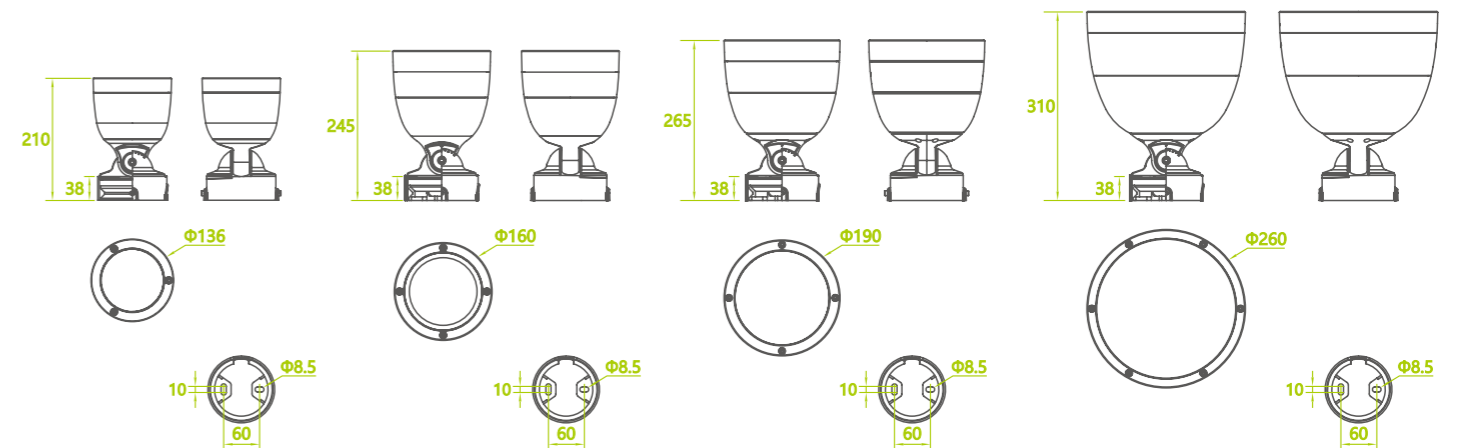
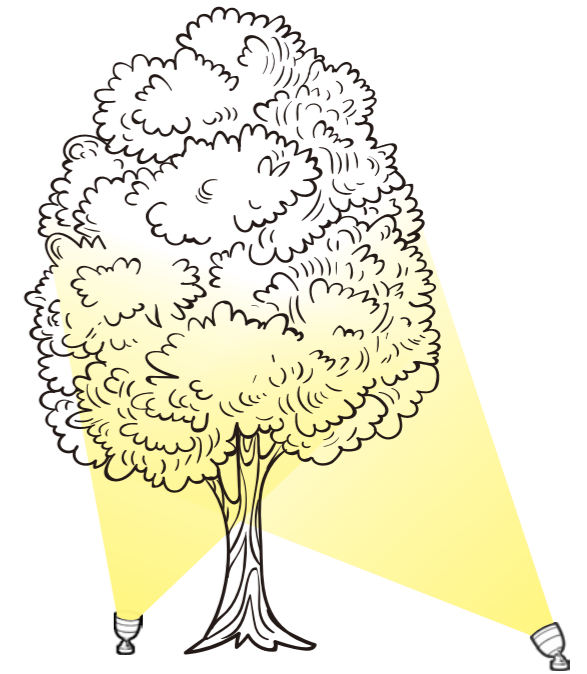
AU1 Ground type
应用一:

落地式

灯具安装于草坪地面，适用于公园、湿地、草坪环境投树照明。
Apply to park, garden etc

落地安装应用提升

- ◎位置低，隐蔽性好
- ◎高强度底座，不易损坏
- ◎内置接线腔，无需外置接线盒
- ◎Low position, good stealthiness
- ◎High strength base
- ◎Built-in junction



AU2 Half buried type

应用二:

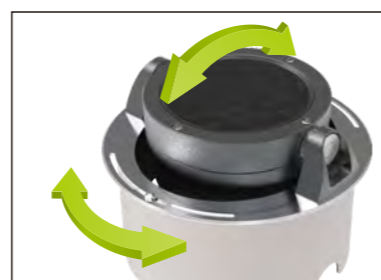
半地理式

灯具安装于草坪、石材、树池等环境低位投树照明；
避免草皮覆盖挡光；优异的防眩低位功能；高强度304不锈钢预埋筒；
纵向±25°旋转，周边±70°旋转。

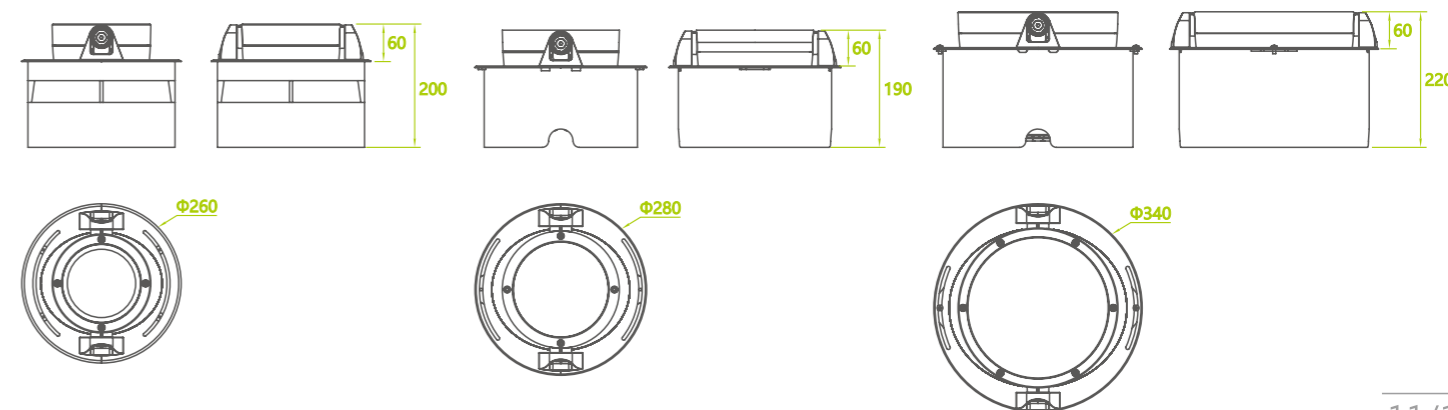
◉Apply to park, garden etc

半地理安装应用提升

- ◉位置高低可以升降，根据草坪高低调整；
- ◉可锁定旋转齿轮结构，不易摇头
- ◉304不锈钢面盖，5mm高强度钢化玻璃；
- ◉0-20mm height adjustable
- ◉Shooting angle lockable
- ◉SS cover with 5mm tempered galss



可上下调整灯体高度，三档：0mm/+10mm/+20mm，灯头垂直旋转±25°，水平360°安装



AU3 Lawn & tree projector
应用三:

草坪照树一体式

灯具结合了草坪灯与投树为一体。适用草坪、步道两侧、中间灌木照树。实现照射草坪、照路、照树一体化。顶部灯具为压铸铝合金，杆体为激光雕刻工艺，内置LED光源。

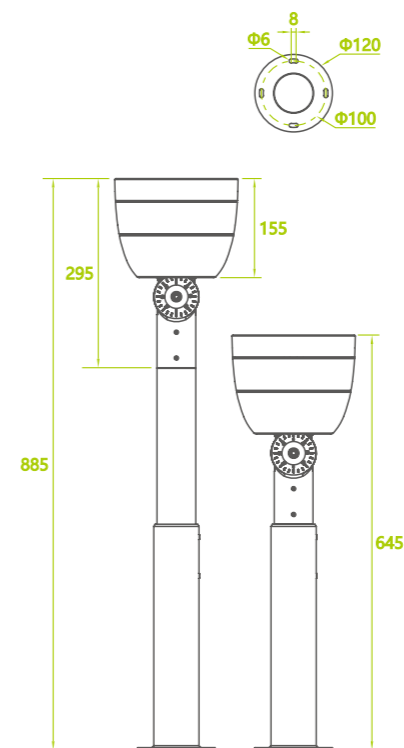
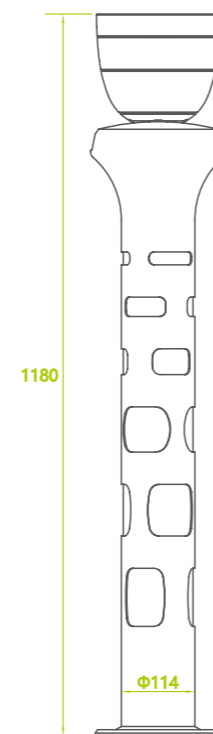
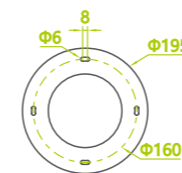
◎Bollard & tree projector together, Multi-function illuminate footpath & bush together

低矮杆安装应用提升

- ◎位置高低可以升降，根据灌木高低调整；
- ◎增强管体功能，避免破坏；
- ◎管体发光功能。

◎Pole with laser cut tech, built-in LED light available

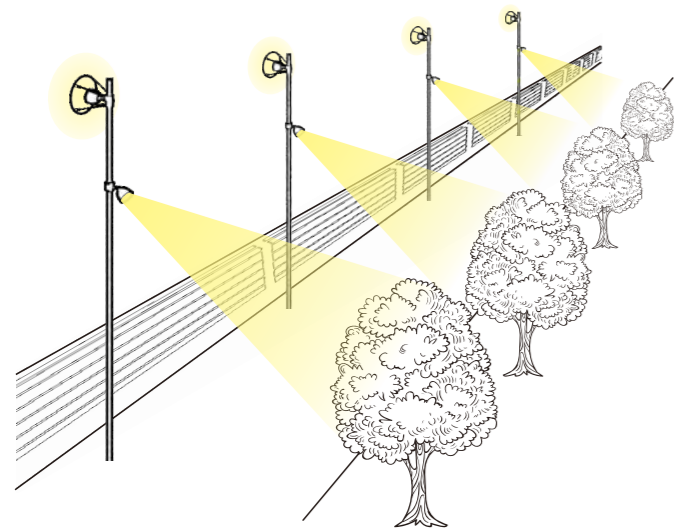
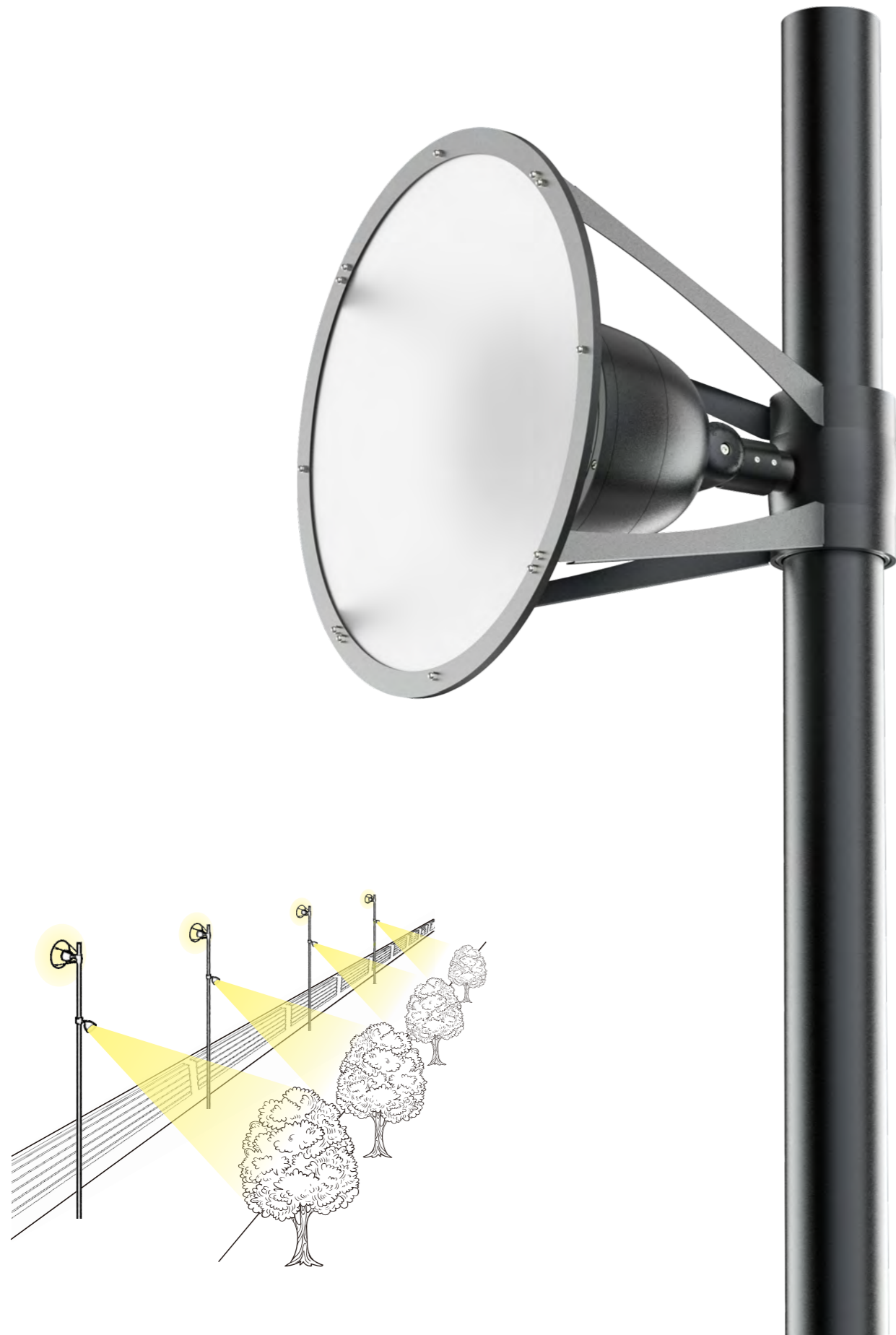
◎Telescopic pole design, apply to different tree height



精灵II
LED照树灯



AU4

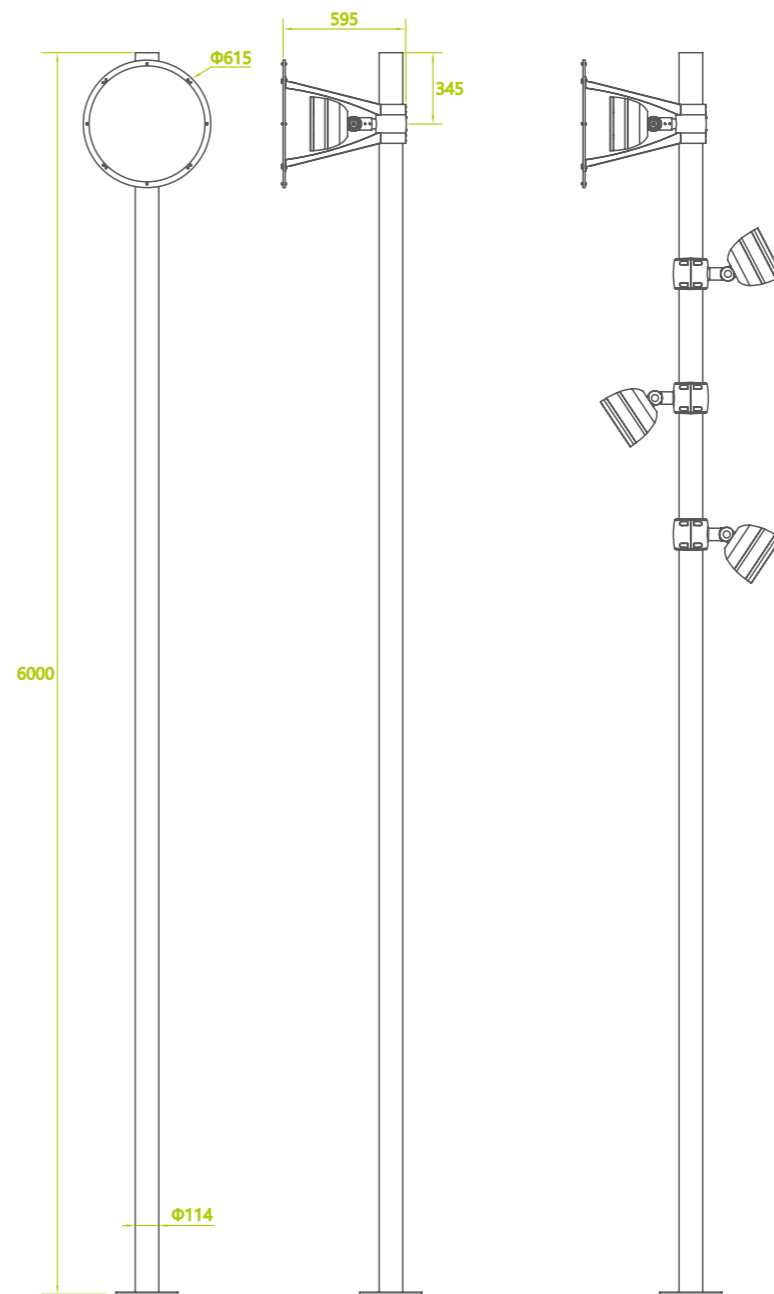


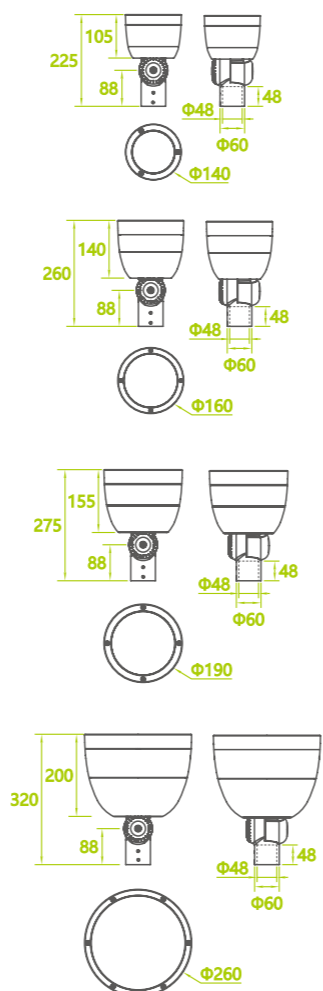
AU4 Large point light
应用四:

大型面光源一体

灯具结合间接面光源与功能照明一体；可实现增大点光源发光面积，高位可持续照明方式；可加载功能照明（投影效果）；适用于沿河两岸景观大型面光源应用。

- Multi-function used for decoration and wall path
- Projection effect available
- Custom-made pole available
- Pole holder dia 89/114mm optional





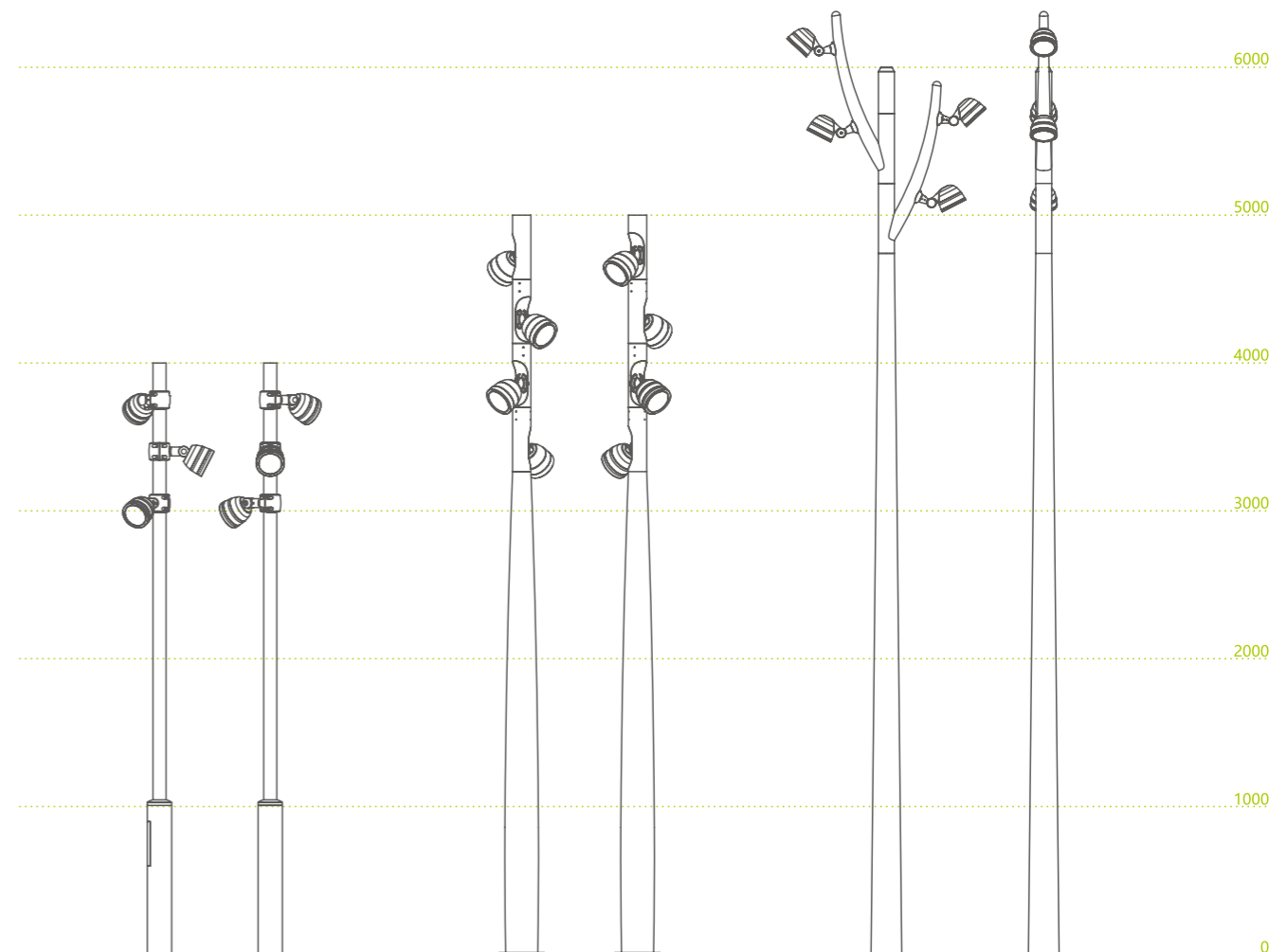
多功能照树

灯具装于直杆，可实现多方向、多角度照射。可兼顾照高树、低树、步道等多方位共同照明。

Multi-function illuminate lower and higher trees

多功能杆安装应用提升

- 与灯杆融入度更高，外形更加美观
- 增加更多应用的照明功能（建筑，泛光，道路，庭院，树木）
- 锥形管旋转功能，实现多功能照明。
- Custom-made pole available
- Pole holder dia 89/114mm optional
- Pole install, with optional shooting direction & angle





抱杆照树

灯具底部柔性不锈钢弹簧，可伸缩抱于树干，不阻碍、不破坏树木生长。抽拉式简便变径技术，安装简易，融合环境。

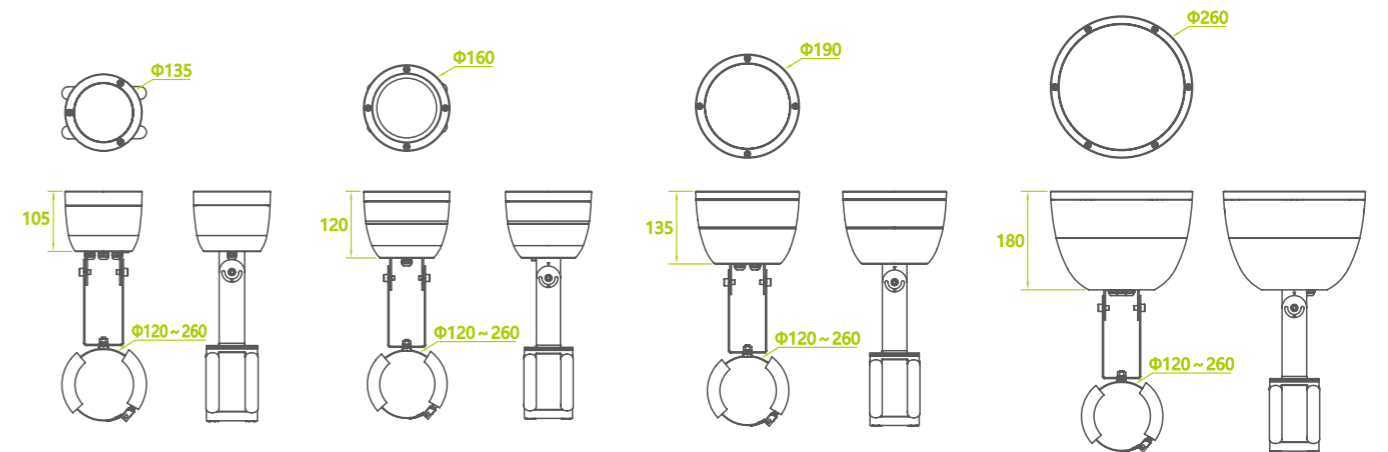
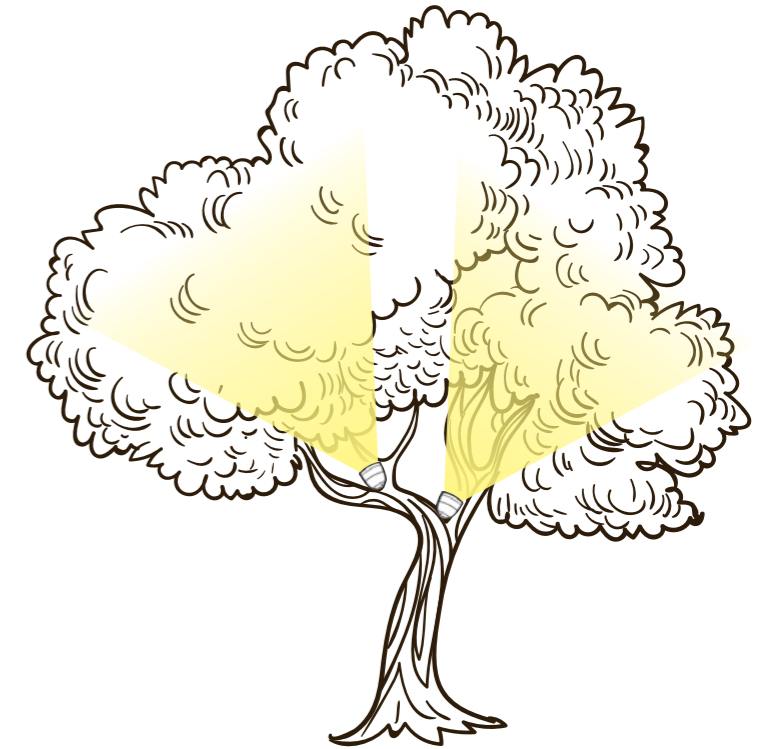
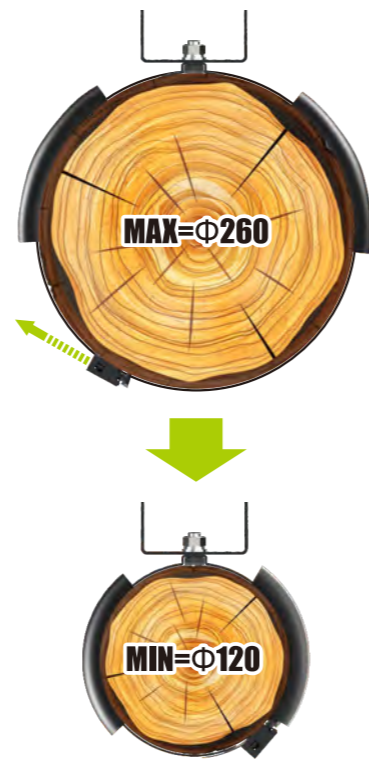
◉Lamp base with flexible spring, holding tree not hurt tree grow

抱树安装应用提升

◉基本功能升级，双向旋转，增加360度，
旋转眩光罩

◉Pull-out diameter changable design

◉Anti-glare diffuser optional



精灵II
LED照树灯

IP66 IK08 CE

AU7



AU7 Walk path lighting
应用七:

步道照明

适合步道照明，公园、庭院步道功能照明，拉伸配光，可配置半透明防眩光罩，光线柔和，低眩光。

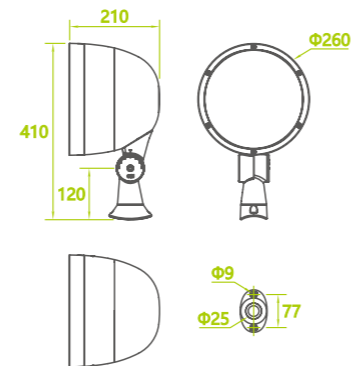
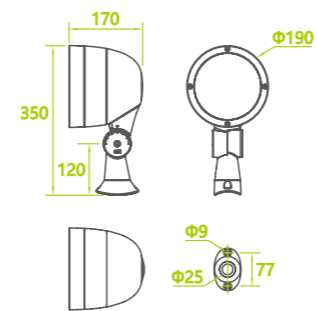
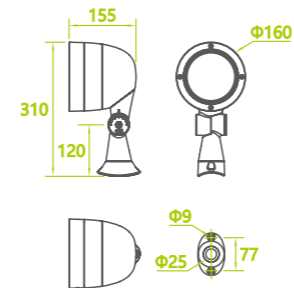
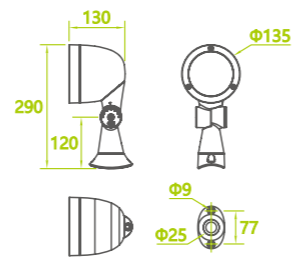
- ◉ Pole install, with optional shooting direction & angle
- ◉ Frost glass diffuser with gentle light output
- ◉ Apply to garden, walk path, plaza etc



精灵II
LED照树灯



AU8

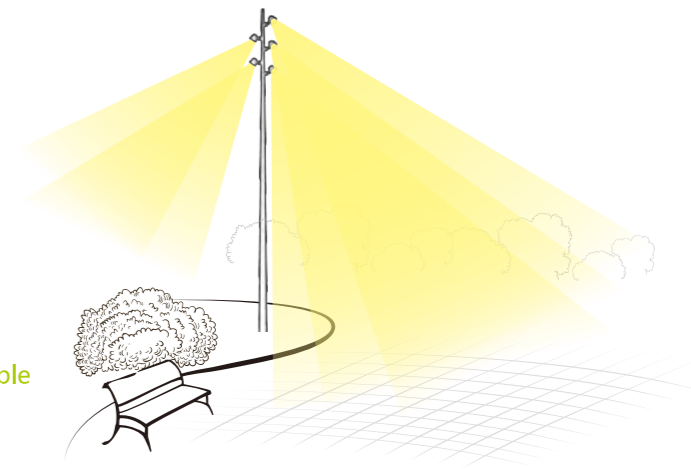


AU8 Plaza Lighting
应用八:

广场照明

适合公园、广场的功能照明，高位立杆，多方向，可兼顾不同方向的照明应用，可配置多种防眩光装置。

- Multi-direction & multi-angle available
- Standard with tempered pole, custom made pole available
- Anti-glare diffuser optional
- Apply to garden, walk path, plaza etc





精灵II
LED照明灯

IP66 IK08 CE

AU9



1



2



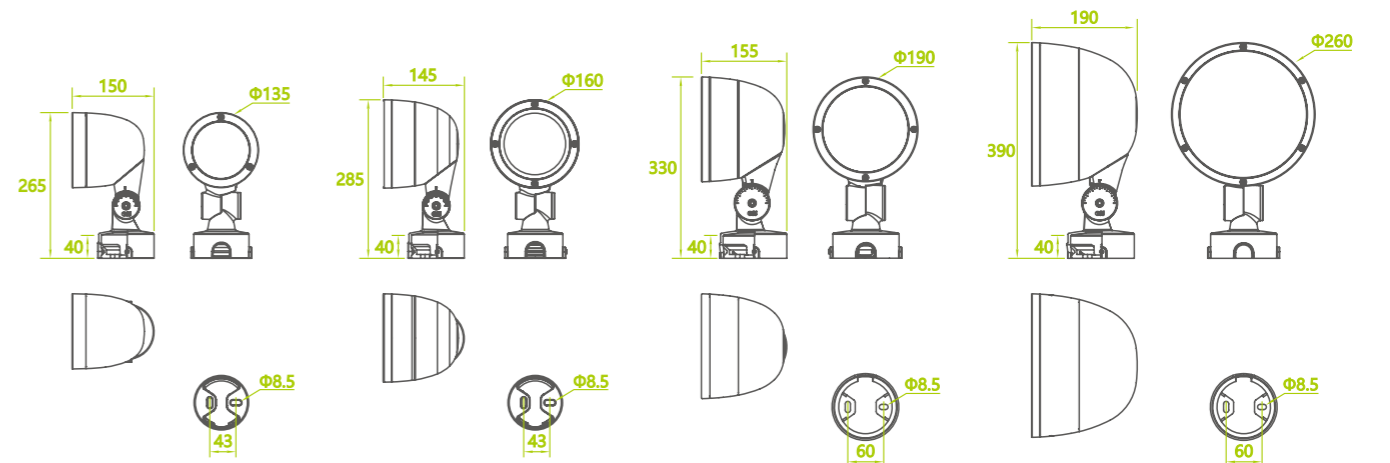
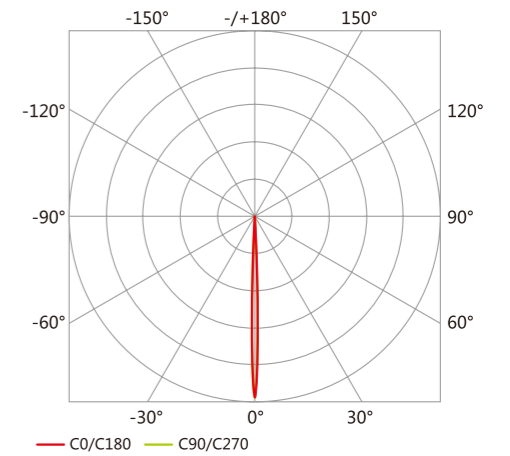
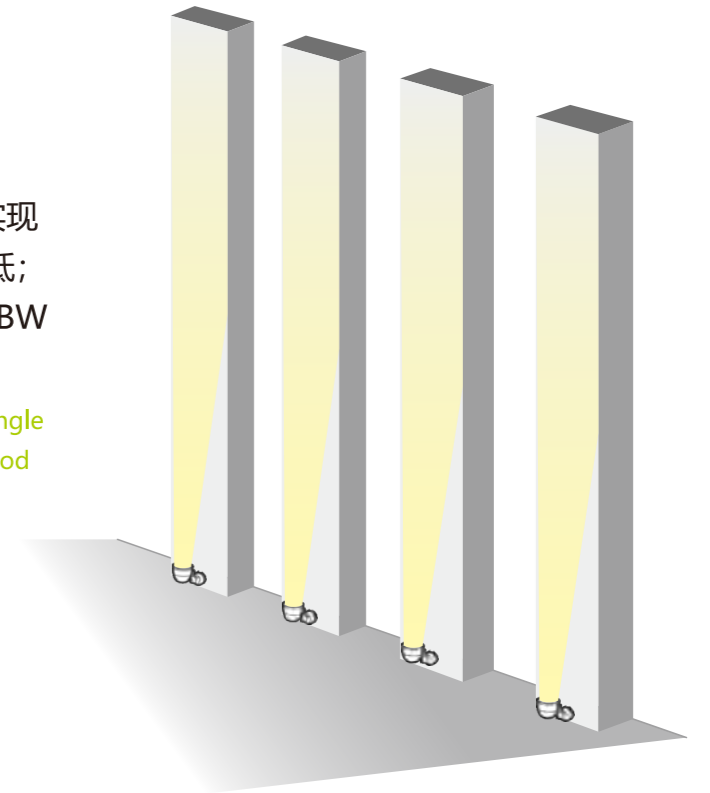
3

AU9 Building column projector
应用九:

建筑柱体照明

适合建筑柱体照明；可搭载3°~5°配光，实现窄、宽柱子擦墙照明，底部均匀，起光点低；均匀退运；可自由调整退晕距离；解决RGBW底部混光问题。

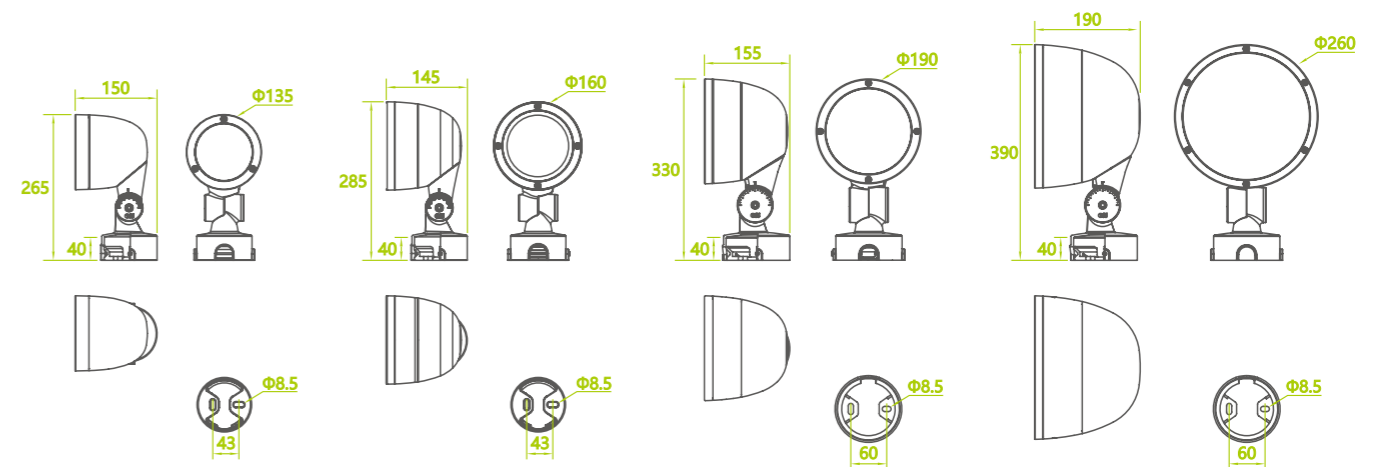
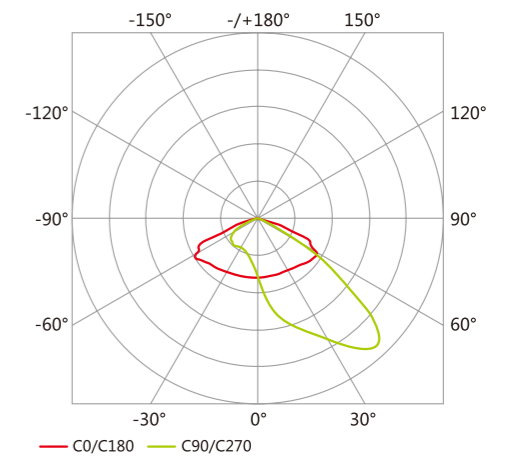
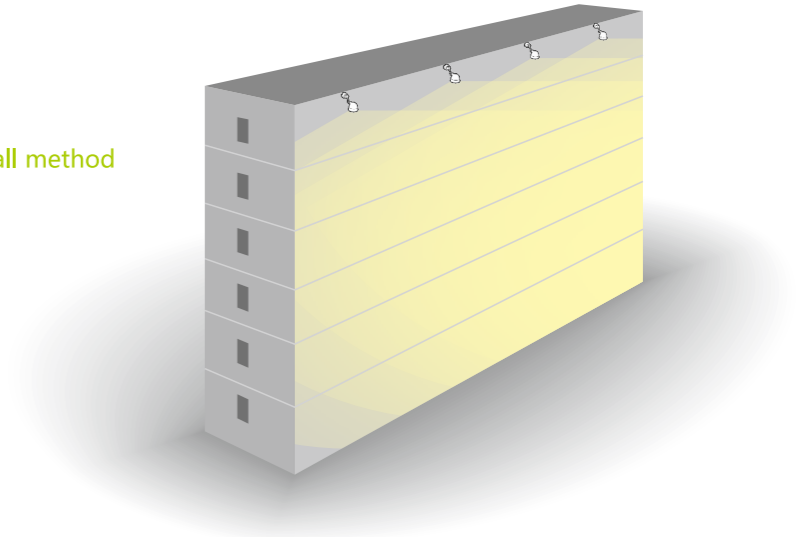
- Equipped with 3-5° lens with super narrow shoot angle
- Double joint design, apply to different install method
- Apply building column lighting



建筑投洗照明

适用于建筑立面大范围照明。横向均匀，上下均匀，安装简便。

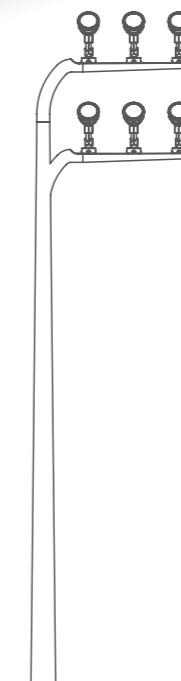
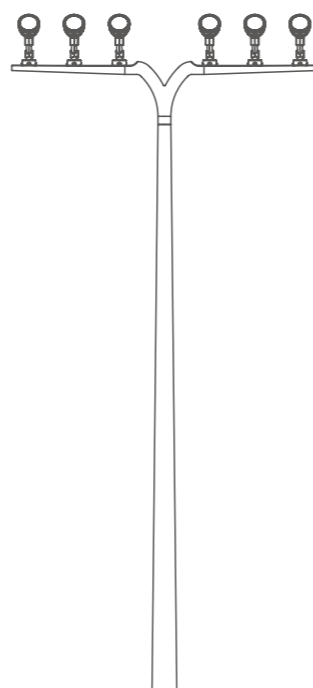
- Multi-direction & multi-angle available
- Multi-joint design, apply to different install method
- Uniform light output, install install
- Screws hiddn design



建筑泛光照明

适用于建筑立面泛光照明。立杆投射；落地投射；多种角度方案；多种防眩光方案（可旋转眩光帽，深筒眩光）

- ◉ Pole install or ground install
- ◉ Multi-angle and multi-direction available
- ◉ Optional diffuser available
- ◉ Apply building flood lighting



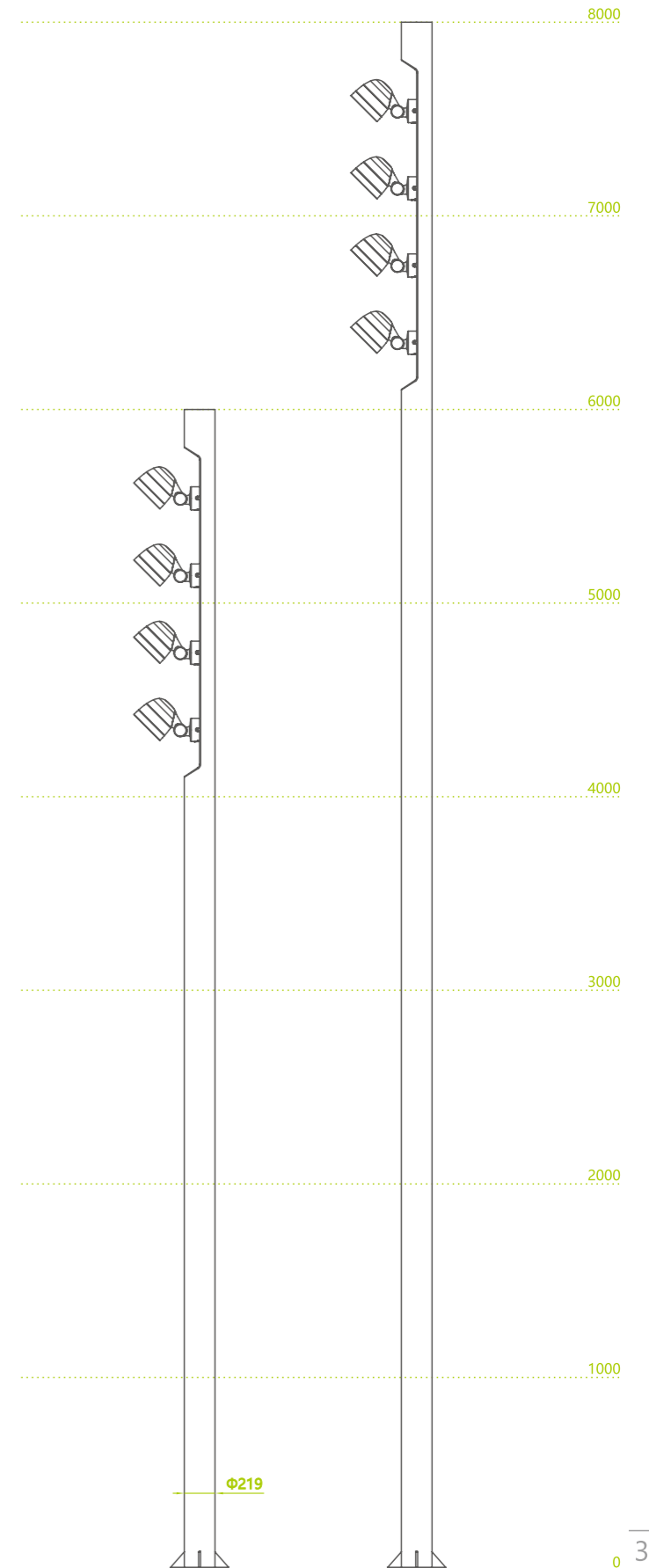
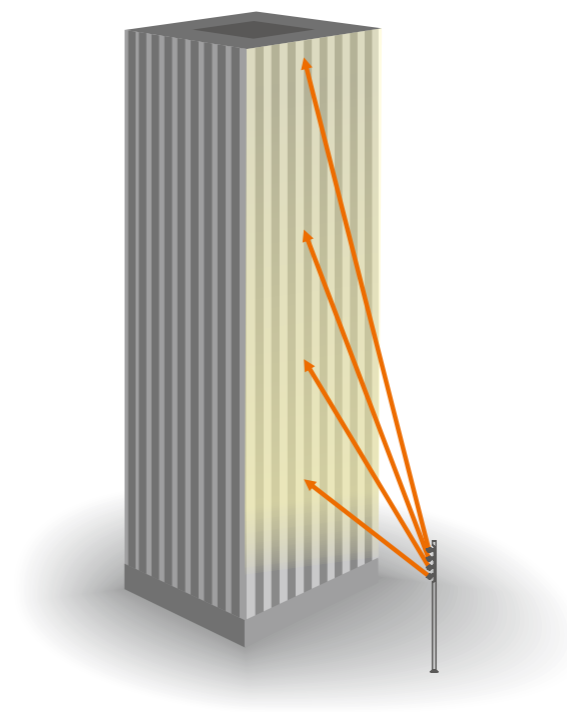
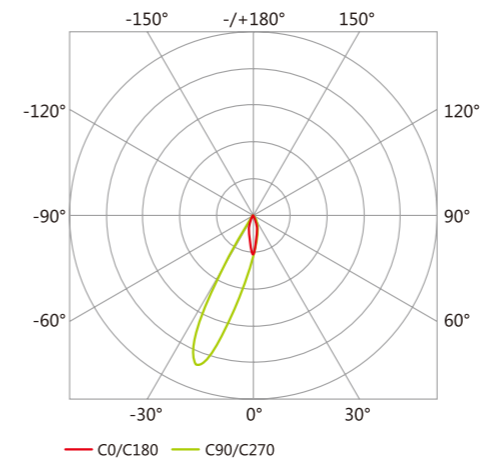
H=8/10/12M



建筑切光照明

适用于建筑立面切光照明。立杆投射；上下均匀。

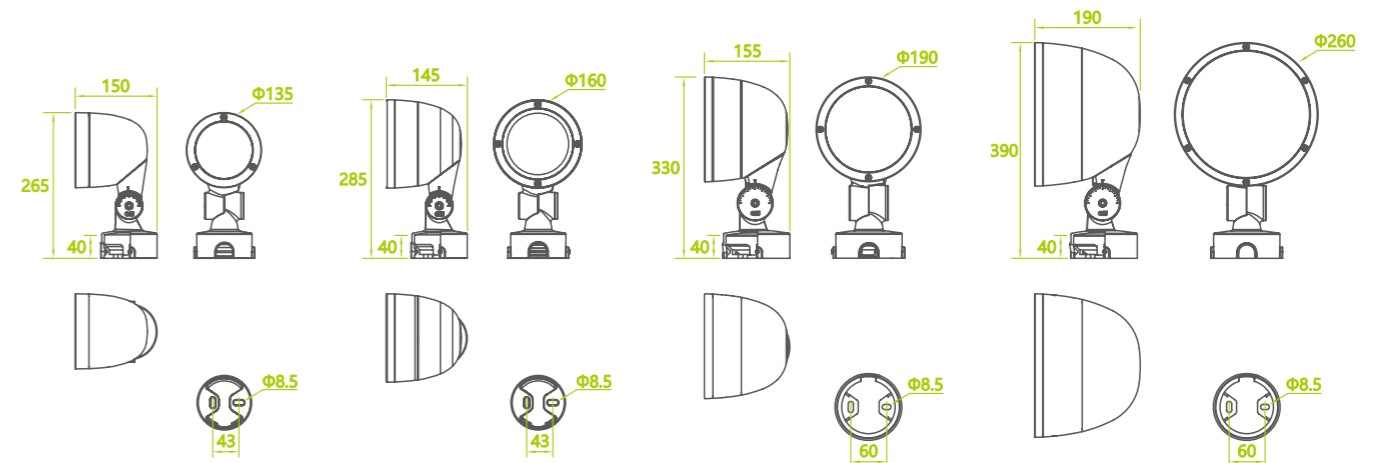
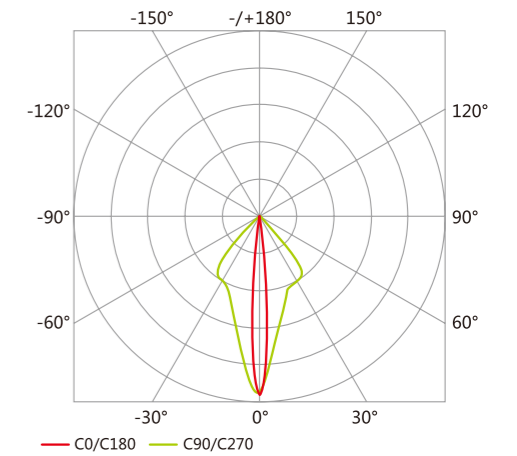
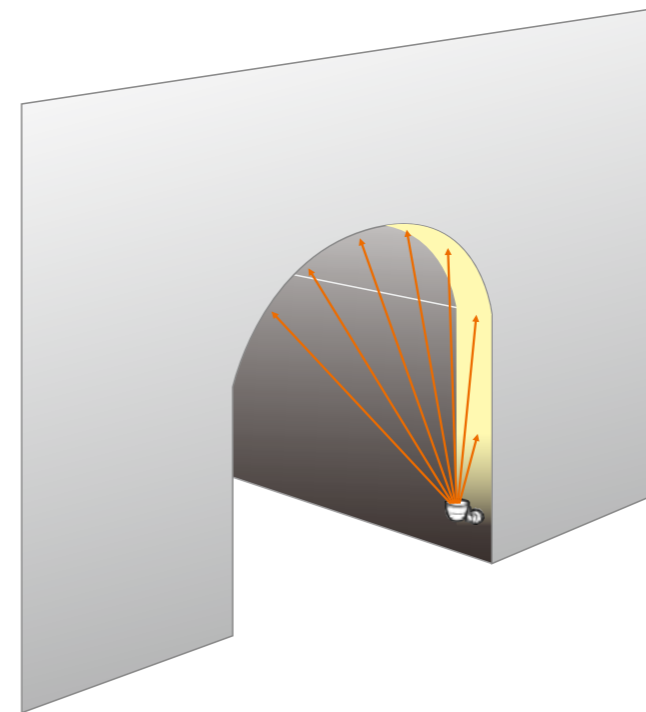
- ◉ Pole install
- ◉ Multi-angle and multi-direction available
- ◉ Optional diffuser available
- ◉ Apply building flood lighting



建筑双面照明

适用于建筑穹顶及屋顶双面照明，节约用灯，一灯两面的应用。

- ◉ Wall install with hidden screws
- ◉ Multi-angle and multi-direction available
- ◉ Optional diffuser available
- ◉ Apply arch or rooftop lighting



精灵II
LED照明灯



AU14

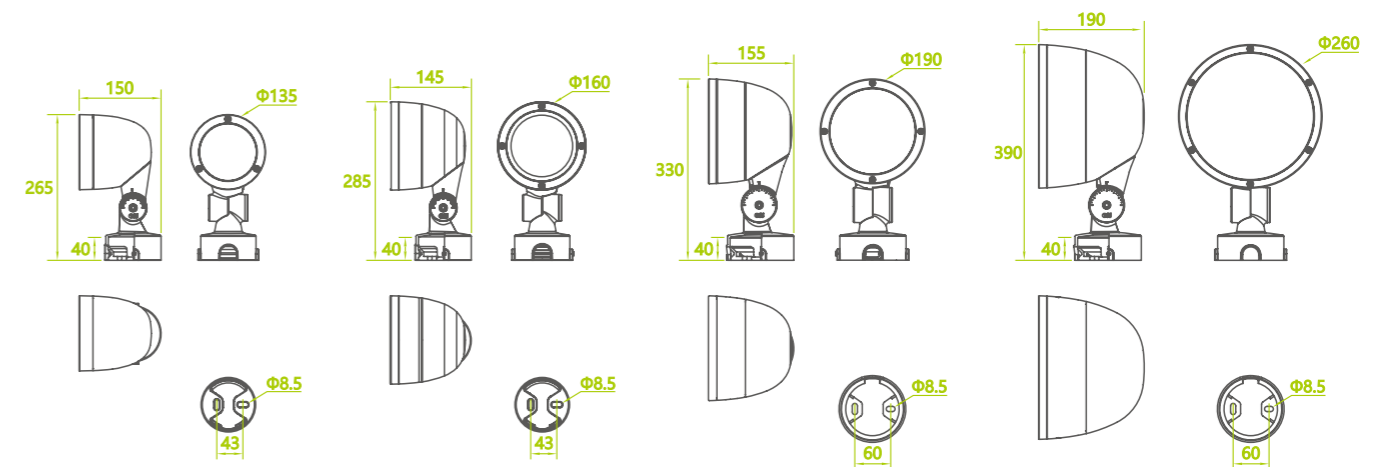
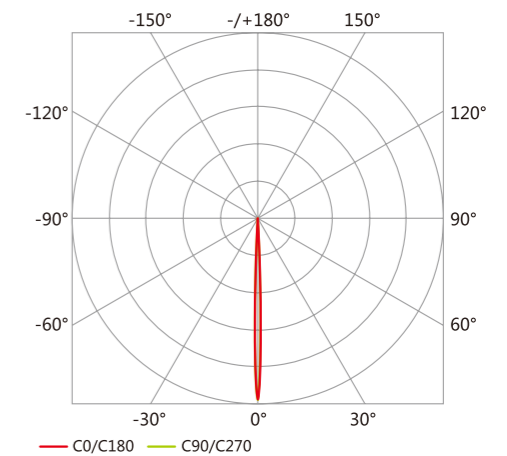


AU14 Focus lighting
应用十四:

重点照明

适用于雕塑照明；建筑局部照明；
小品照片；突出特点：窄角度退光
均匀，无杂散光，防眩光。

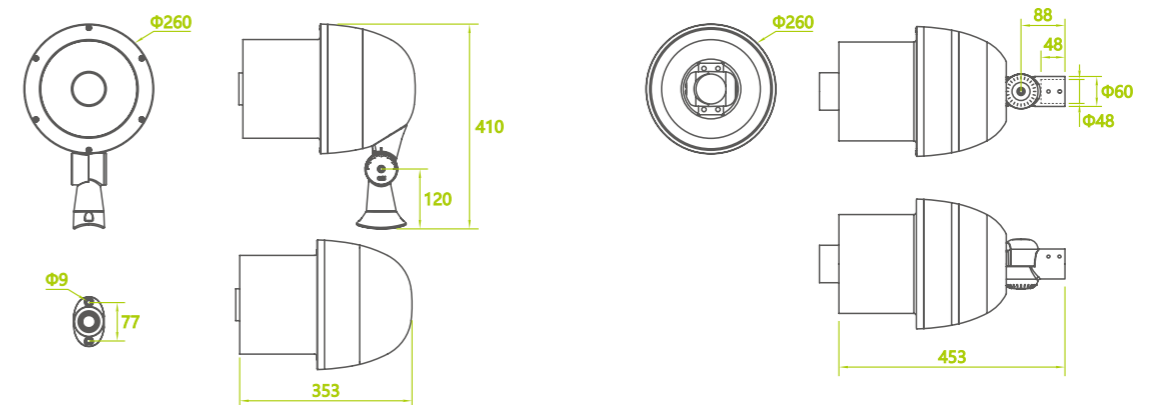
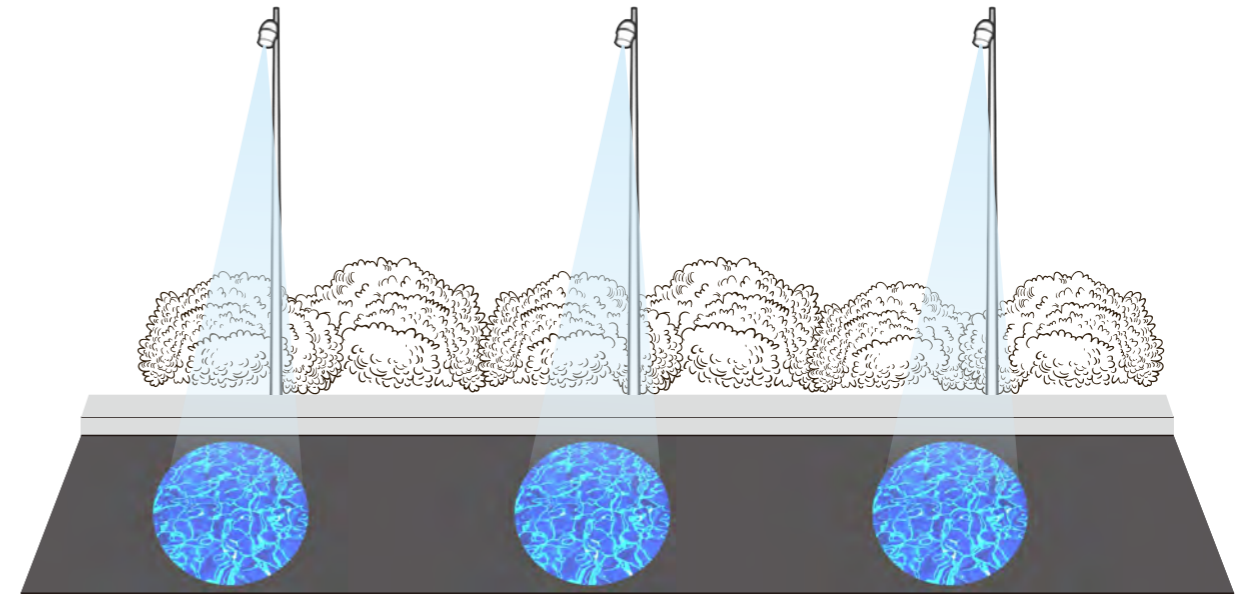
- Apply to sculpture & pictures
- Narrow angle and uniform fading
- Stray light free, glare free



投影照明

投影灯与照明灯具完美结合，保证立杆照明与投影照明外观一致性；
可投射地面3-6米高度，多种投影图案选择。

- ◉ Pole install, custom pole available
- ◉ 3-6m pole available
- ◉ Optional shadow design



AU8安装方式

AU5安装方式



L06B-D-AU1



L06B-B-AU1



L06B-A-AU1



L06B-C-AU1



L06B-D-AU9



L06B-B-AU9



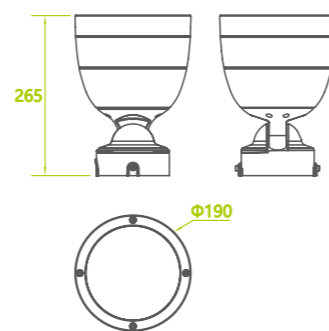
L06B-A-AU9



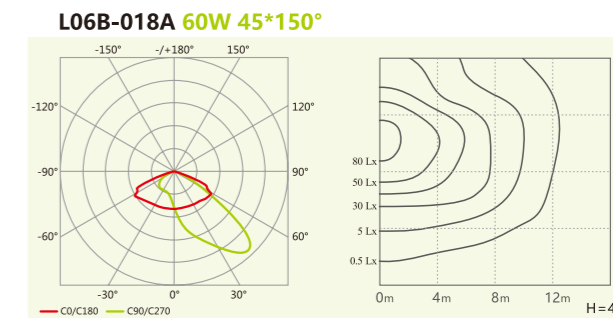
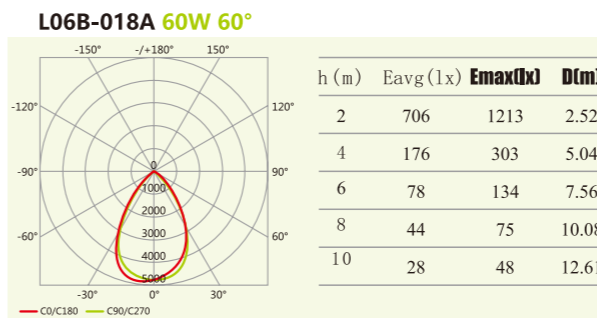
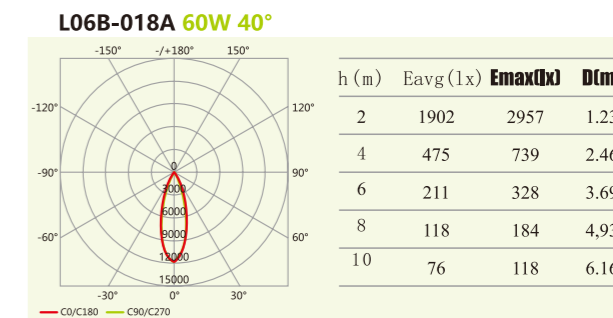
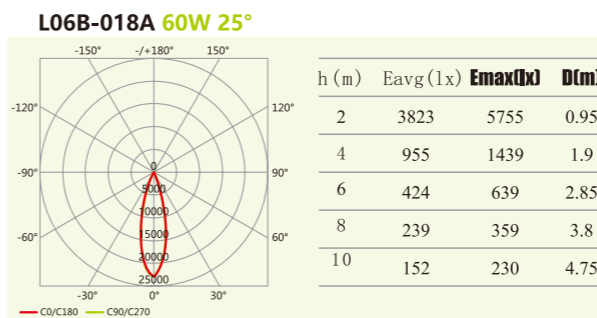
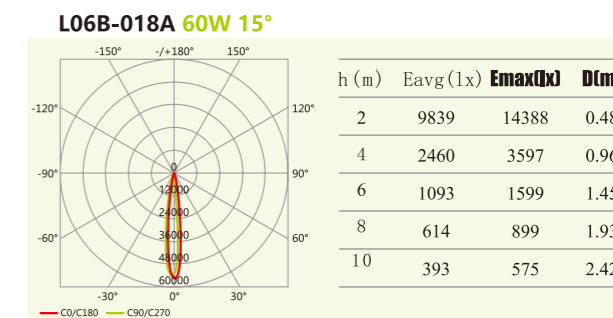
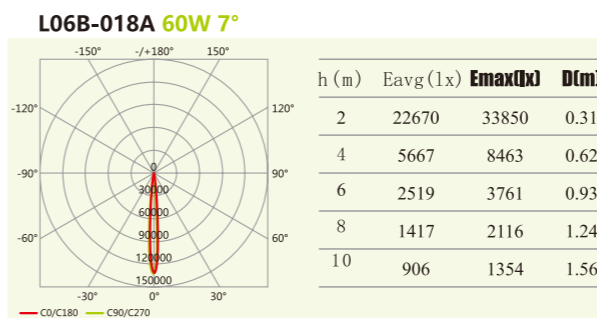
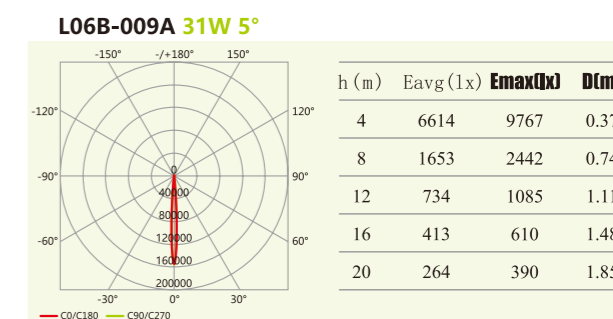
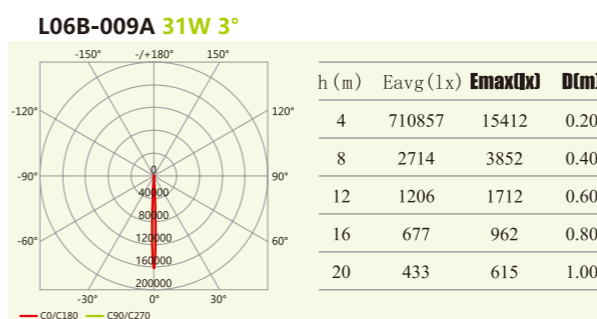
L06B-C-AU9



L06B-E-AU9



- 灯具采用一体化压铸工艺，采用低铜耐腐蚀铝合金材料，表面室外静电喷塑工艺，抗户外环境聚酯塑粉；
ADC12 low cuprum die-cast aluminum with anti-UV powder coating;
- 灯具光源设计多重防眩光技术方案，有效控制视觉眩光及溢散光；
Multi-anti glare design, efficient control glare;
- 灯具内置辐射整体散热，外表面光洁表面自洁不粘灰，表面光滑，自洁涂层，持久光鲜亮丽；
Built-in heat sinker, provides smooth surface and slim appearance;
- 高强度马蹄齿，支架自锁结构固定，预防外力滑动；
High strength horseshoe gear with supporter self-locker offers stable body;
- 内置隐藏式线路结构，灯具无外露线，安全美观可靠。
Hidden junction provides nice appearance and more safty;
- 防护等级达到IP66; 采用5MM钢化玻璃，抗冲击等级达到IK08;
IP66 and IK08 protection;
- 选用高等级进口大功率光源，高光效输出及呈现优异的光效果。
Osram or philips chip with high efficiency;
- 可加载多种配件，变换多端。适合园林，建筑多场合应用。
Optional accessories apply to park, garden, plaza, building facade etc



	AU1	AU2	AU3	AU4	AU5	AU6	AU7	AU8	AU9	AU10	AU11	AU12	AU13	AU14	AU15
L06B-A Φ190	●	●	●	●	●	●	●	●	●	●	●	●	●	●	×
L06B-B Φ160	●	●	●	×	●	●	●	●	●	●	●	●	●	●	×
L06B-C Φ260	●	●	●	●	●	●	●	●	●	●	●	●	●	●	●
L06B-D Φ135	●	×	●	×	●	●	●	●	●	●	●	●	●	●	×
L06B-E 370*210	×	×	×	×	×	×	×	×	●	×	●	×	×	●	×

L06B-006AP4.0L

AC 220V	LED Quantity	Net Weight	Optical Angle	Rated Power	Luminous Flux	Lamp Size	Gross Weight/Packing Size
	6 pcs	4.0 kg	15°/25°/40°/60°	60 W	2758 lm	Φ190×265mm	4.2kg/315×285×245mm(1pcs/box) 16.8kg/510×455×340mm(4pcs/box)

L06B-009AP3.3L

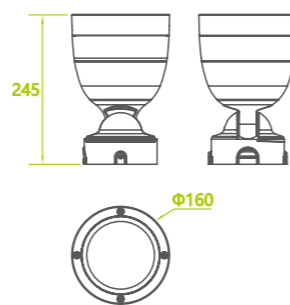
AC 220V	LED Quantity	Net Weight	Optical Angle	Rated Power	Luminous Flux	Lamp Size	Gross Weight/Packing Size
	9 pcs	3.5 kg	3°/5°	30 W	2633 lm	Φ190×265mm	3.7kg/315×285×245mm(1pcs/box) 14.8kg/510×455×340mm(4pcs/box)

L06B-012AP3.3L

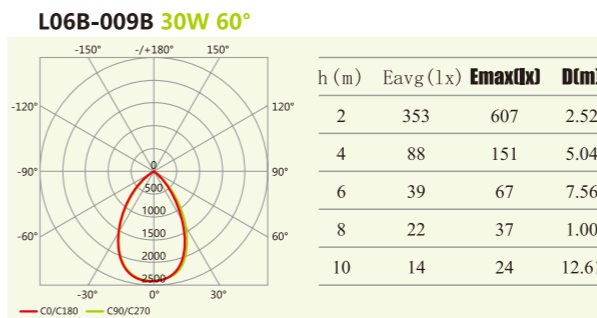
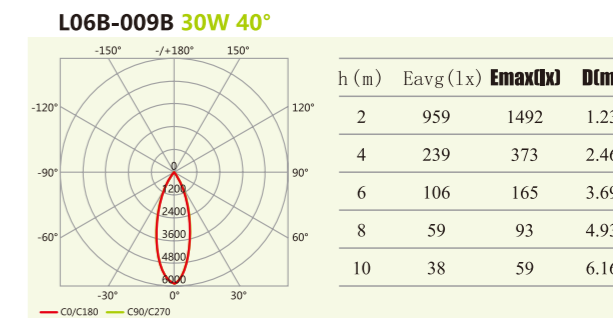
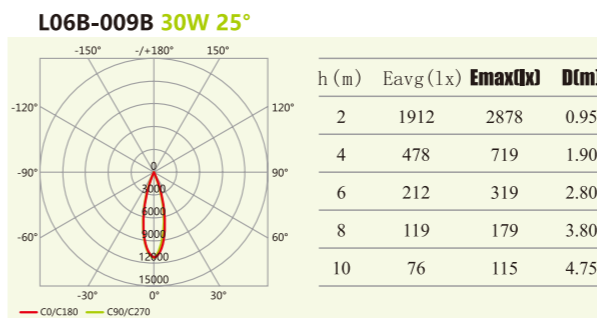
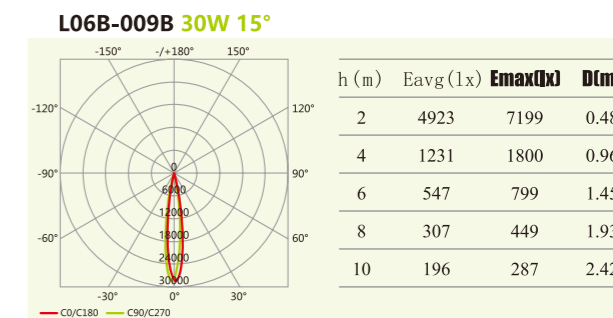
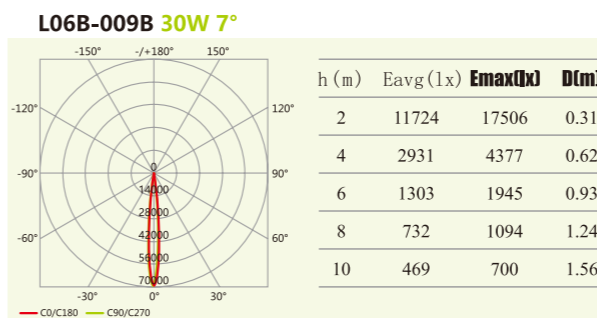
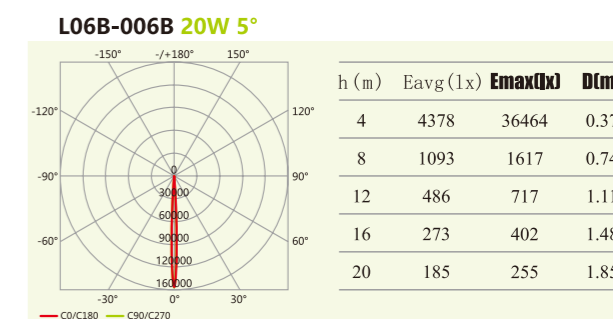
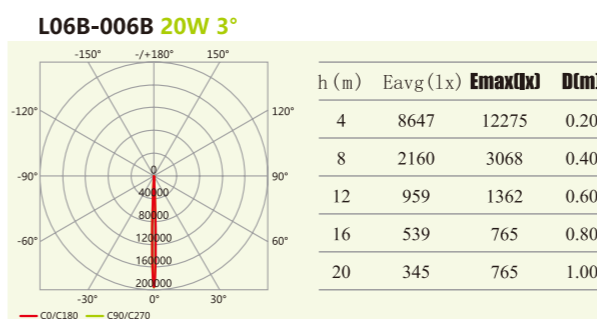
AC 220V	LED Quantity	Net Weight	Optical Angle	Rated Power	Luminous Flux	Lamp Size	Gross Weight/Packing Size
	12 pcs	3.7 kg	7°/15°/25°/40°/60°	50 W	4803 lm	Φ190×265mm	3.9kg/315×285×245mm(1pcs/box) 16.0kg/510×455×340mm(4pcs/box)

L06B-018AP3.3L

AC 220V	LED Quantity	Net Weight	Optical Angle	Rated Power	Luminous Flux	Lamp Size	Gross Weight/Packing Size
	18 pcs	3.8 kg	7°/15°/25°/40°/60°	60 W	6198 lm	Φ190×265mm	4.0kg/315×285×245mm(1pcs/box) 16.4kg/510×455×340mm(4pcs/box)



- 灯具采用一体化压铸工艺，采用低铜耐腐蚀铝合金材料，表面室外静电喷塑工艺，抗户外环境聚酯塑粉；
ADC12 low cuprum die-cast aluminum with anti-UV powder coating;
- 灯具光源设计多重防眩光技术方案，有效控制视觉眩光及溢散光；
Multi-anti glare design, efficient control glare;
- 灯具内置辐射整体散热，外表面光洁表面自洁不粘灰，表面光滑，自洁涂层，持久光鲜亮丽；
Built-in heat sinker, provides smooth surface and slim appearance;
- 高强度马蹄齿，支架自锁结构固定，预防外力滑动；
High strength horseshoe gear with supporter self-locker offers stable body;
- 内置隐藏式线路结构，灯具无外露线，安全美观可靠。
Hidden junction provides nice appearance and more safty;
- 防护等级达到IP66; 采用5MM钢化玻璃，抗冲击等级达到IK08;
IP66 and IK08 protection;
- 选用高等级进口大功率光源，高光效输出及呈现优异的光效果。
Osram or philips chip with high efficiency;
- 可加载多种配件，变换多端。适合园林，建筑多场合应用。
Optional accessories apply to park, garden, plaza, building facade etc



	AU1	AU2	AU3	AU4	AU5	AU6	AU7	AU8	AU9	AU10	AU11	AU12	AU13	AU14	AU15
L06B-A Φ190	●	●	●	●	●	●	●	●	●	●	●	●	●	●	×
L06B-B Φ160	●	●	●	×	●	●	●	●	●	●	●	●	●	●	×
L06B-C Φ260	●	●	●	●	●	●	●	●	●	●	●	●	●	●	●
L06B-D Φ135	●	×	●	×	●	●	●	●	●	●	●	●	●	●	×
L06B-E 370*210	×	×	×	×	×	×	×	×	●	×	●	×	×	●	×

L06B-004BP4.0L

AC 220V	LED Quantity	Net Weight	Optical Angle	Rated Power	Luminous Flux	Lamp Size	Gross Weight/Packing Size
	4 pcs	2.9 kg	15°/25°/40°/60°	40W	1798 lm	Φ160×245mm	3.1kg/320×215×230mm(1pcs/box) 12.5kg/380×380×330mm(4pcs/box)

L06B-006BP3.3L

AC 220V	LED Quantity	Net Weight	Optical Angle	Rated Power	Luminous Flux	Lamp Size	Gross Weight/Packing Size
	6 pcs	2.7 kg	3°/5° 7°/15°/25°/40°/60°	20 W	1743lm 2099lm	Φ160×245mm	2.9kg/320×215×230mm(1pcs/box) 12.5kg/380×380×330mm(4pcs/box)

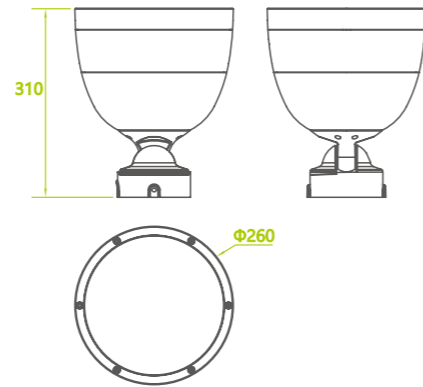
L06B-009BP3.3L

AC 220V	LED Quantity	Net Weight	Optical Angle	Rated Power	Luminous Flux	Lamp Size	Gross Weight/Packing Size
	9 pcs	2.8 kg	7°/15°/25°/40°/60°	30 W	3100 lm	Φ160×245mm	3.0kg/320×215×230mm(1pcs/box) 12.1kg/380×380×330mm(4pcs/box)

L06B-012BP3.3L

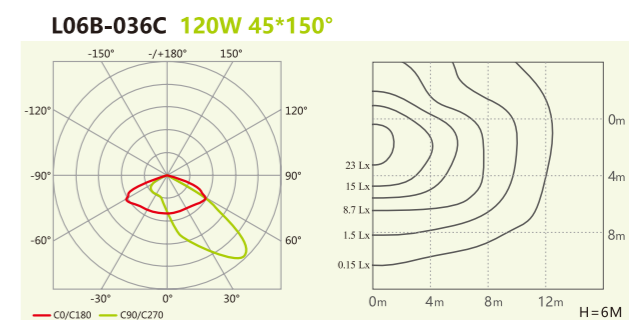
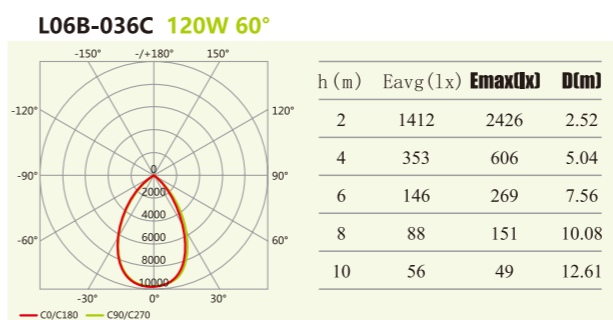
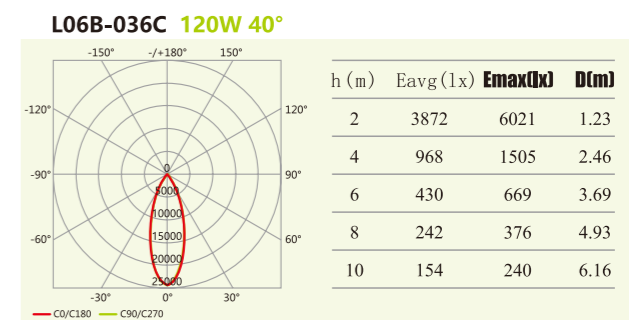
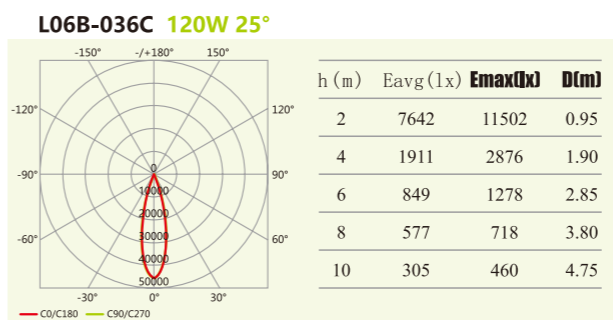
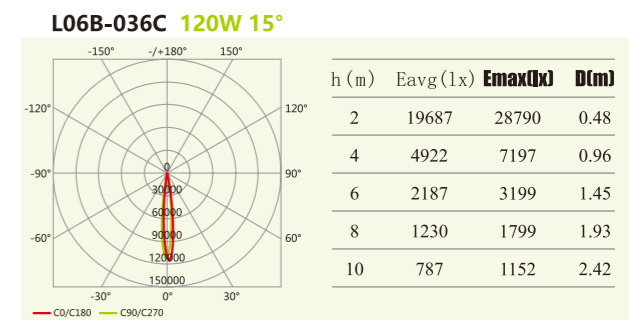
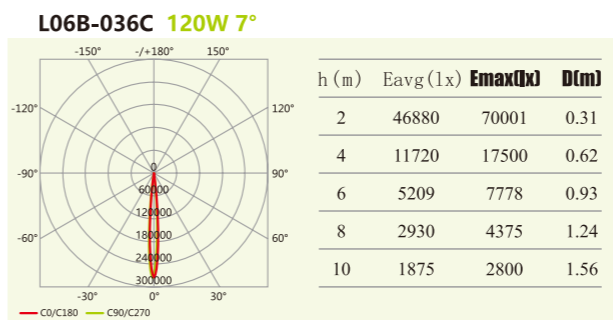
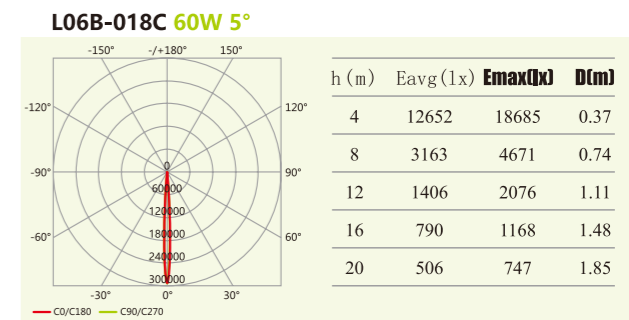
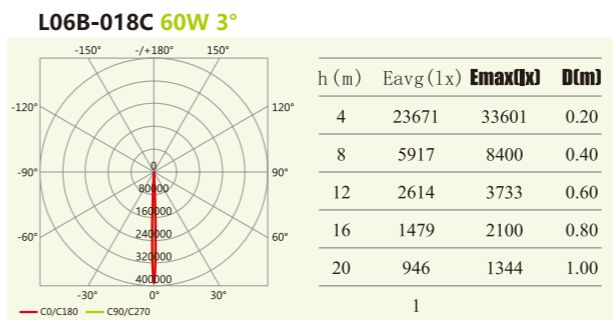
AC 220V	LED Quantity	Net Weight	Optical Angle	Rated Power	Luminous Flux	Lamp Size	Gross Weight/Packing Size
	12 pcs	2.9 kg	7°/15°/25°/40°/60°	40 W	3986 lm	Φ160×245mm	3.1kg/320×215×230mm(1pcs/box) 12.5kg/380×380×330mm(4pcs/box)

精灵II LED照明灯 L06B-C



- 灯具采用一体化压铸工艺，采用低铜耐腐蚀铝合金材料，表面室外静电喷塑工艺，抗户外环境聚酯塑粉；
ADC12 low cuprum die-cast aluminum with anti-UV powder coating;
- 灯具光源设计多重防眩光技术方案，有效控制视觉眩光及溢散光；
Multi-anti glare design, efficient control glare;
- 灯具内置辐射整体散热，外表面光洁表面自洁不粘灰，表面光滑，自洁涂层，持久光鲜亮丽；
Built-in heat sinker, provides smooth surface and slim appearance;
- 高强度马蹄齿，支架自锁结构固定，预防外力滑动；
High strength horseshoe gear with supporter self-locker offers stable body;
- 内置隐藏式线路结构，灯具无外露线，安全美观可靠。
Hidden junction provides nice appearance and more safty;
- 防护等级达到IP66；采用5MM钢化玻璃，抗冲击等级达到IK08；
IP66 and IK08 protection;
- 选用高等级进口大功率光源，高光效输出及呈现优异的光效果。
Osram or philips chip with high efficiency;
- 可加载多种配件，变换多端。适合园林，建筑多场合应用。
Optional accessories apply to park, garden, plaza, building facade etc

	AU1	AU2	AU3	AU4	AU5	AU6	AU7	AU8	AU9	AU10	AU11	AU12	AU13	AU14	AU15	
L06B-A Φ190	●	●	●	●	●	●	●	●	●	●	●	●	●	●	●	×
L06B-B Φ160	●	●	●	×	●	●	●	●	●	●	●	●	●	●	●	×
L06B-C Φ260	●	●	●	●	●	●	●	●	●	●	●	●	●	●	●	●
L06B-D Φ135	●	×	●	×	●	●	●	●	●	●	●	●	●	●	●	×
L06B-E 370*210	×	×	×	×	×	×	×	×	●	×	●	×	×	●	×	



L06B-012CP4.0L

AC 220V	LED Quantity	Net Weight	Optical Angle	Rated Power	Luminous Flux	Lamp Size	Gross Weight/Packing Size
	12 pcs	6.8 kg	15°/25°/40°/60°	120 W	5758 lm	Φ260×310mm	7.6kg/380×330×290mm(1pcs/box)

L06B-018CP3.3L

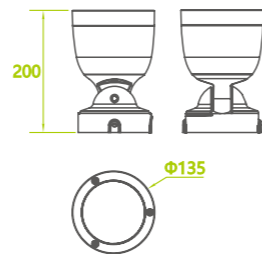
AC 220V	LED Quantity	Net Weight	Optical Angle	Rated Power	Luminous Flux	Lamp Size	Gross Weight/Packing Size
	18 pcs	6.2 kg	3°/5°	60 W	5036 lm	Φ260×310mm	7.0kg/380×330×290mm(1pcs/box)

L06B-024CP3.3L

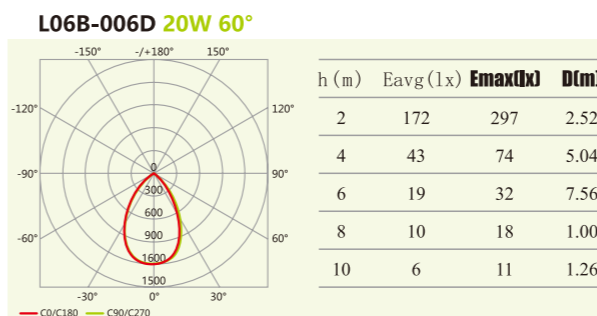
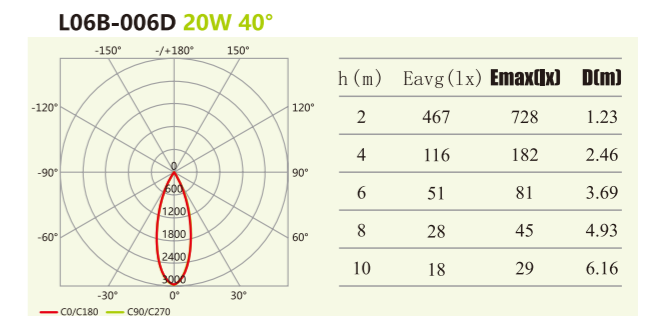
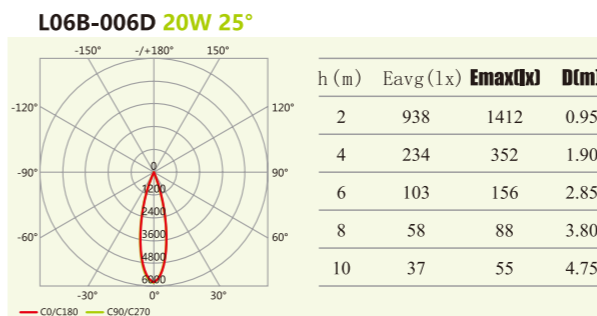
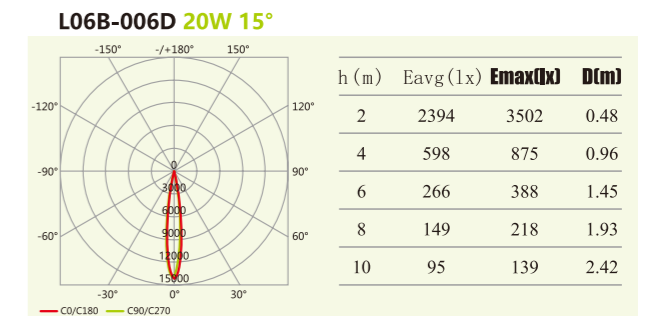
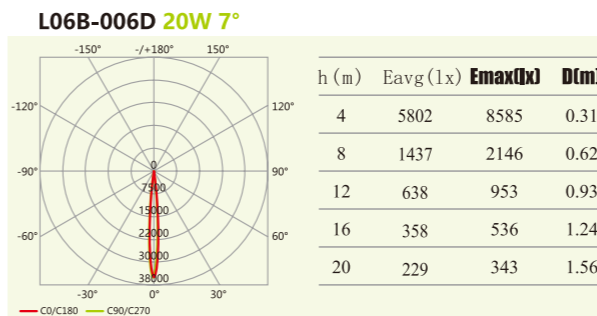
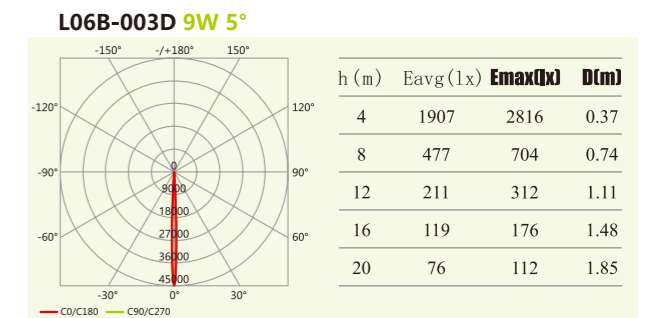
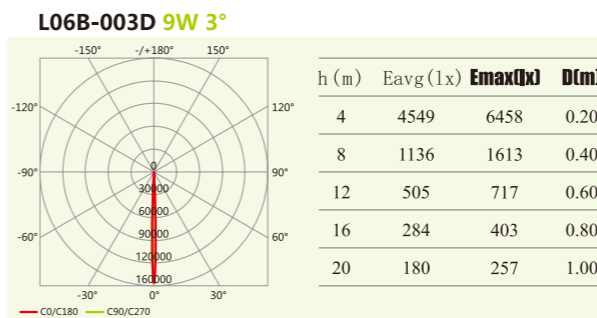
AC 220V	LED Quantity	Net Weight	Optical Angle	Rated Power	Luminous Flux	Lamp Size	Gross Weight/Packing Size
	24 pcs	6.3 kg	7°/15°/25°/40°/60°	80 W	7992 lm	Φ260×310mm	7.1kg/380×330×290mm(1pcs/box)

L06B-036CP2.6L/3.3L

AC 220V	LED Quantity	Net Weight	Optical Angle	Rated Power	Luminous Flux	Lamp Size	Gross Weight/Packing Size
	36 pcs	6.5 kg	7°/15°/25°/40°/60°	100W 120W	10847 lm 12396 lm	Φ260×310mm	7.3kg/380×330×290mm(1pcs/box)



- 灯具采用一体化压铸工艺，采用低铜耐腐蚀铝合金材料，表面室外静电喷塑工艺，抗户外环境聚酯塑粉；
ADC12 low cuprum die-cast aluminum with anti-UV powder coating;
- 灯具光源设计多重防眩光技术方案，有效控制视觉眩光及溢散光；
Multi-anti glare design, efficient control glare;
- 灯具内置辐射整体散热，外表面光洁表面自洁不粘灰，表面光滑，自洁涂层，持久光鲜亮丽；
Built-in heat sinker, provides smooth surface and slim appearance;
- 高强度马蹄齿，支架自锁结构固定，预防外力滑动；
High strength horseshoe gear with supporter self-locker offers stable body;
- 内置隐藏式线路结构，灯具无外露线，安全美观可靠。
Hidden junction provides nice appearance and more safty;
- 防护等级达到IP66; 采用5MM钢化玻璃，抗冲击等级达到IK08;
IP66 and IK08 protection;
- 选用高等级进口大功率光源，高光效输出及呈现优异的光效果。
Osram or philips chip with high efficiency;
- 可加载多种配件，变换多端。适合园林，建筑多场合应用。
Optional accessories apply to park, garden, plaza, building facade etc



	AU1	AU2	AU3	AU4	AU5	AU6	AU7	AU8	AU9	AU10	AU11	AU12	AU13	AU14	AU15
L06B-A Φ190	●	●	●	●	●	●	●	●	●	●	●	●	●	●	×
L06B-B Φ160	●	●	●	×	●	●	●	●	●	●	●	●	●	●	×
L06B-C Φ260	●	●	●	●	●	●	●	●	●	●	●	●	●	●	●
L06B-D Φ135	●	×	●	×	●	●	●	●	●	●	●	●	●	●	×
L06B-E 370*210	×	×	×	×	×	×	×	×	●	×	●	×	×	●	×

L06B-003DP4.0L

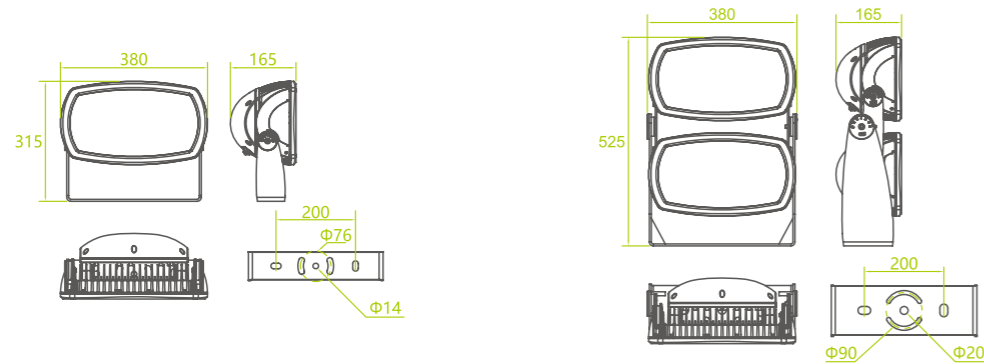
DC 24V	LED Quantity	Net Weight	Optical Angle	Rated Power	Luminous Flux	Lamp Size	Gross Weight/Packing Size
	3 pcs	2.0 kg	15°/25°/40°/60°	25 W	1246 lm	Φ135×200mm	2.1kg/285×215×175mm(1pcs/box) 8.6kg/380×330×290mm(4pcs/box)

L06B-003DP2.2L

AC 220v	LED Quantity	Net Weight	Optical Angle	Rated Power	Luminous Flux	Lamp Size	Gross Weight/Packing Size
	3 pcs	1.8 kg	3°/5° 7°/15°/25°/40°/60°	9 W	927 lm 1137 lm	Φ135×200mm	1.9kg/285×215×175mm(1pcs/box) 8.6kg/380×330×290mm(4pcs/box)

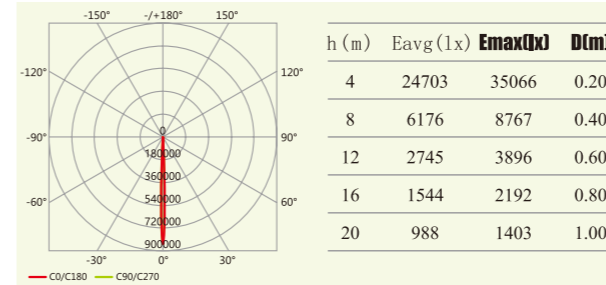
L06B-006DP3.3L

AC 220V	LED Quantity	Net Weight	Optical Angle	Rated Power	Luminous Flux	Lamp Size	Gross Weight/Packing Size
	6 pcs	2.0 kg	7°/15°/25°/40°/60°	20W	1925 lm	Φ135×200mm	2.1kg/285×215×175mm(1pcs/box) 8.6kg/380×330×290mm(4pcs/box)

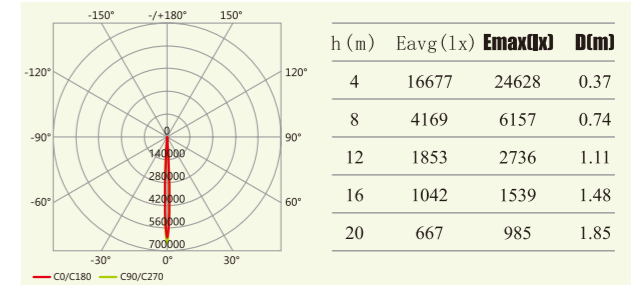


	AU1	AU2	AU3	AU4	AU5	AU6	AU7	AU8	AU9	AU10	AU11	AU12	AU13	AU14	AU15	
L06B-A Φ190	●	●	●	●	●	●	●	●	●	●	●	●	●	●	●	×
L06B-B Φ160	●	●	●	×	●	●	●	●	●	●	●	●	●	●	●	×
L06B-C Φ260	●	●	●	●	●	●	●	●	●	●	●	●	●	●	●	●
L06B-D Φ135	●	×	●	×	●	●	●	●	●	●	●	●	●	●	●	×
L06B-E 370*210	×	×	×	×	×	×	×	×	●	×	●	×	×	●	×	

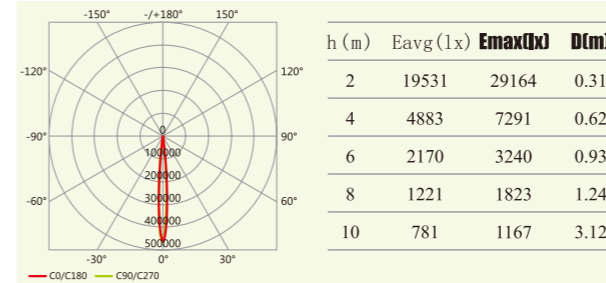
L06B-036E 120W 3°



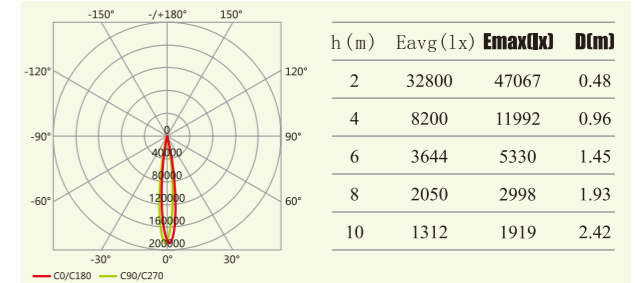
L06B-036E 120W 5°



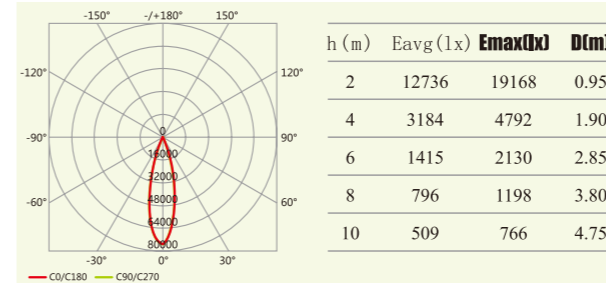
L06B-072E 200W 7°



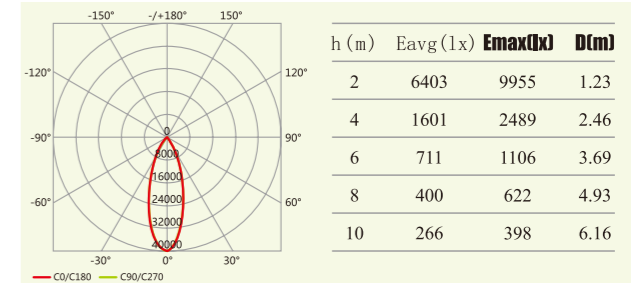
L06B-072E 200W 15°



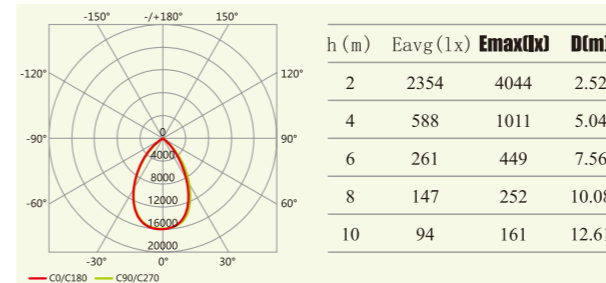
L06B-072E 200W 25°



L06B-072E 200W 40°



L06B-072E 200W 60°



L06B-024EP4.0L

AC 220V	LED Quantity	Net Weight	Optical Angle	Rated Power	Luminous Flux	Lamp Size	Gross Weight/Packing Size
AC 220V	24 pcs	8.5 kg	15°/25°/40°/60°	200 W	9869 lm	380×315×165mm	9.1kg/440×285×240mm(1pcs/box)

L06B-036EP3.3L

AC 220V	LED Quantity	Net Weight	Optical Angle	Rated Power	Luminous Flux	Lamp Size	Gross Weight/Packing Size
AC 220V	36 pcs	8.4 kg	3°/5°	120 W	10072 lm	380×315×165mm	9.0kg/440×285×240mm(1pcs/box)

L06B-060EP2.2L/3.3L

AC 220V	LED Quantity	Net Weight	Optical Angle	Rated Power	Luminous Flux	Lamp Size	Gross Weight/Packing Size
AC 220V	60 pcs	8.4 kg	7°/15°/25°/40°/60°	150 W	16510 lm	380×315×165mm	9.0kg/440×285×240mm(1pcs/box)
				180 W	18821 lm		

L06B-072EP3.3L

AC 220V	LED Quantity	Net Weight	Optical Angle	Rated Power	Luminous Flux	Lamp Size	Gross Weight/Packing Size
AC 220V	72 pcs	8.8 kg	7°/15°/25°/40°/60°	200 W	19980 lm	380×315×165mm	9.4kg/440×285×240mm(1pcs/box)

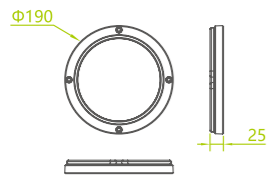
L06B-144E 双头组合 Double

AC 220V	LED Quantity	Net Weight	Optical Angle	Rated Power	Luminous Flux	Lamp Size	Gross Weight/Packing Size
AC 220V	144 pcs	19.9 kg	7°/15°/25°/40°/60°	400 W	39960 lm	525×380×165mm	21.8kg/580×450×225mm(1pcs/box)

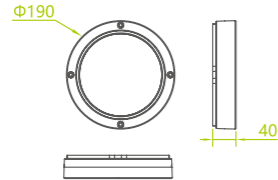
L06B-A



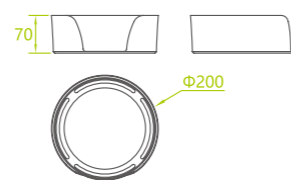
L06B-018A-001 标准盖
Standard Cover



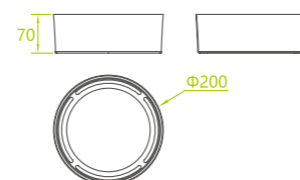
L06B-018A-002 深筒防眩盖
High cover(anti-glare)



L06B-018A-050 旋转遮光罩(缺口)
Rotatable diffuser



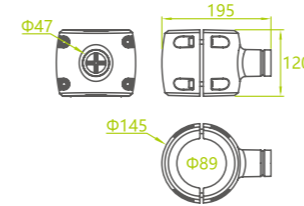
L06B-018A-037 旋转遮光罩
Rotatable diffuser



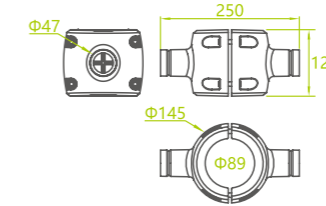
AU5



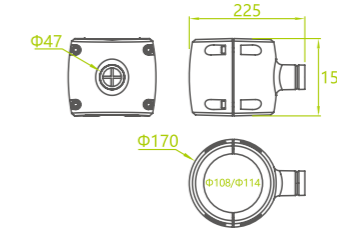
L06A-018A-052 89单头抱箍
Φ89 Single-end holder



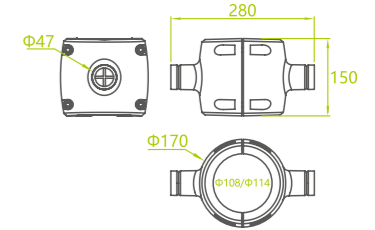
L06A-018A-053 89双头抱箍
Φ89 Double-ended holder



L06A-036C-025 108单头抱箍
L06A-036C-026 114单头抱箍
Φ108 / 114 Single-end holder



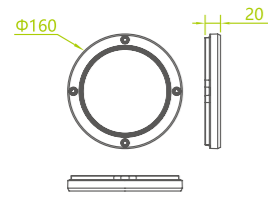
L06A-036C-027 108双头抱箍
L06A-036C-028 114双头抱箍
Φ108 / 114 Double-end holder



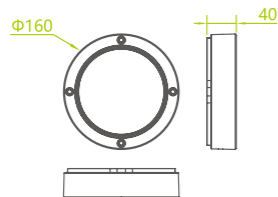
L06B-B



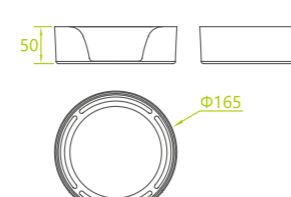
L06B-009B-001 标准盖
Standard Cover



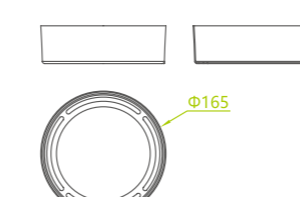
L06B-009B-002 深筒防眩盖
High cover(anti-glare)



L06B-009B-046 旋转遮光罩(缺口)
Rotatable diffuser



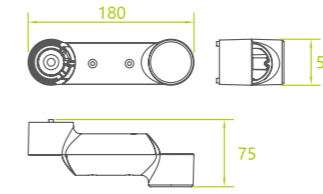
L06B-009B-037 旋转遮光罩
Rotatable diffuser



L06B-B/D



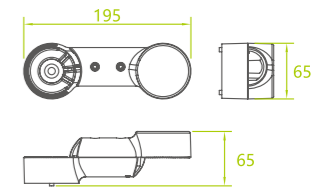
L06B-009B-045 延长支架
Extension supporter



L06B-A/C



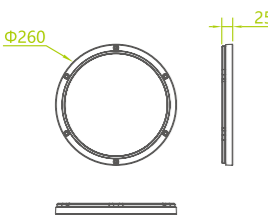
L06B-018A-022 延长支架
Extension supporter



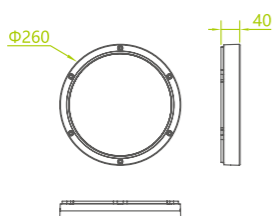
L06B-C



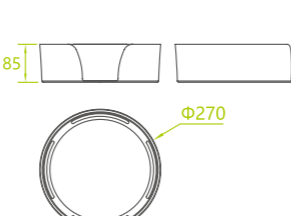
L06B-036C-001 标准盖
Standard Cover



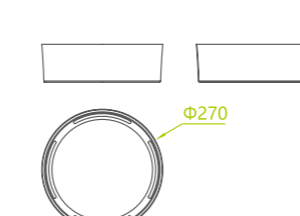
L06B-036C-005 深筒防眩盖
High cover(anti-glare)



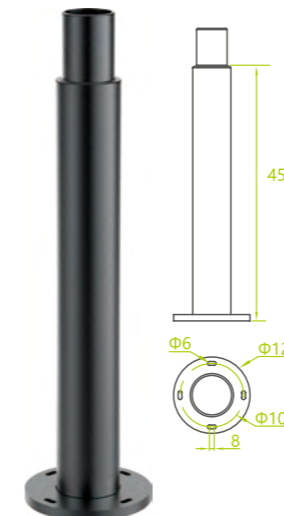
L06B-036C-031 旋转遮光罩(缺口)
Rotatable diffuser



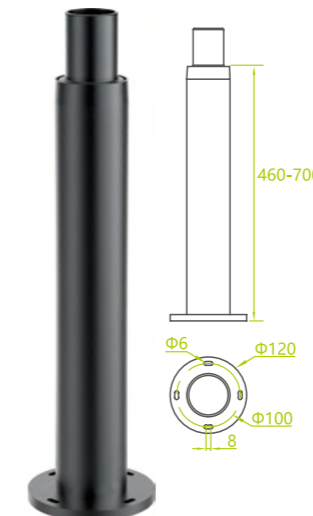
L06B-036C-026 旋转遮光罩
Rotatable diffuser



AU3



L06B-036C-013 灯杆
Pole



L06B-036C-014 伸缩杆
Telescope pole

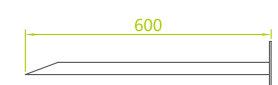
AU1



L06B-009B-039 地插400
Spike 400mm



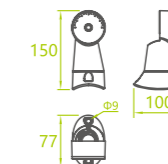
L06B-009B-044 地插600
Spike 600mm



AU8



L06B-018A-033/034 AU8支架
AU8 Supporter



AU6



L06A-018A-059 AU6支架
AU6 Supporter

