

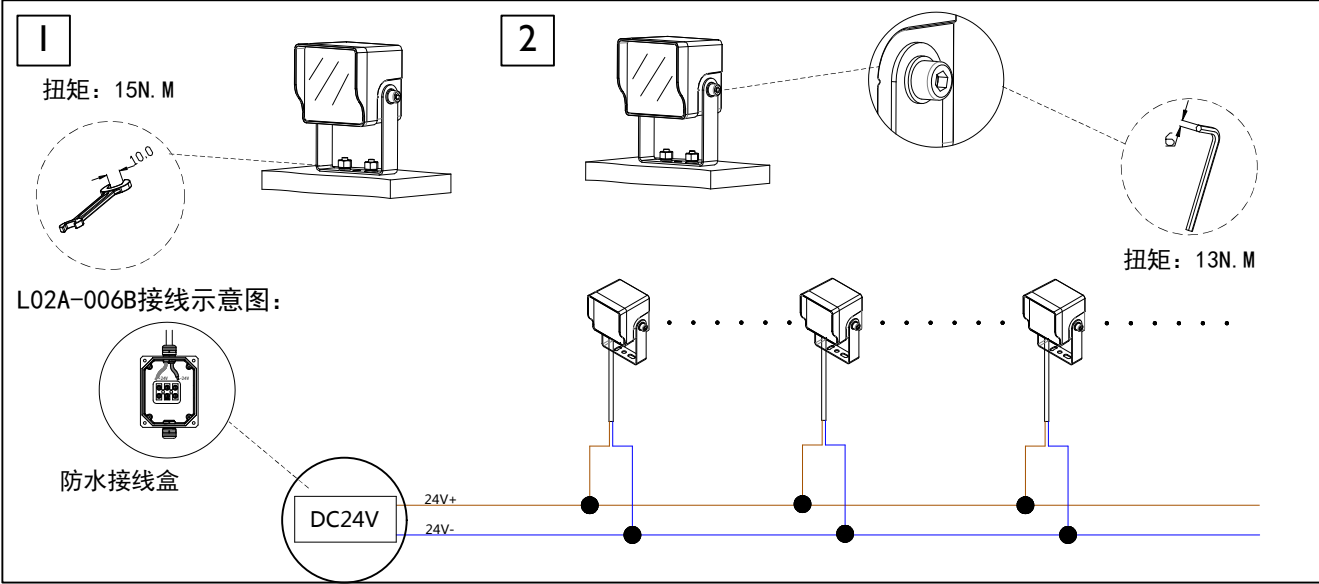
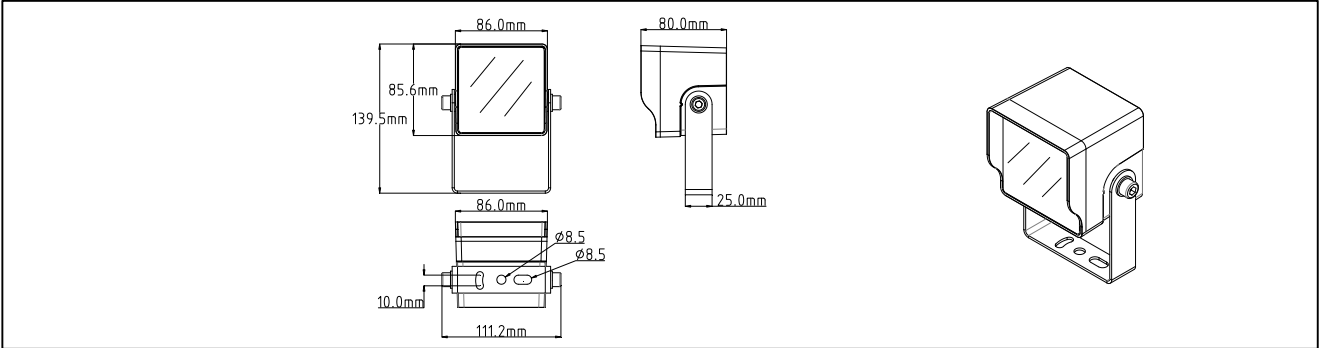
# LED PROJECTOR LIGHT

## L02A-002B/003B/004B/006B/009B

Mounting instruction



Type Number 产品型号	LEDs 颗粒数	Power 功率	Voltage 电压	CT 色温	
L02A-002B	2	2W/4W	DC24V	3000K/4000K/5000K	0.75
L02A-003B	3	6W	DC24V	3000K/4000K/5000K	0.75
L02A-004B	4	4W/8W	DC24V	3000K/4000K/5000K	0.75
L02A-006B	6	12W	DC24V	3000K/4000K/5000K	0.75
L02A-009B	9	10W	DC24V	3000K/4000K/5000K	0.75



- 
1. The luminaire shall be installed by a qualified electrician and wired in accordance with the latest IEE electrical regulations or the national requirements.  
灯具应由有资格的电工安装，接线要符合IEE电气标准或国家标准。
  2. No supplied water-proof box, installation should be advised by qualified professional.  
不提供防水接线盒，安装应征求有资格的人的建议。
  3. The external flexible cable can not be replaced. If the cable is damaged, the luminaire should be discarded.  
灯具外部软线不可替换，如有损坏，灯具报废。